

Sanitary Systems

Roth Cariba CI FXG

Roth

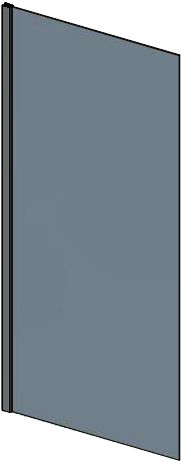



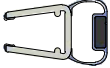
**Assembling Instruction
Montageanleitung
Notice de montage
Montážní návod**










Shower for life

CI FXG

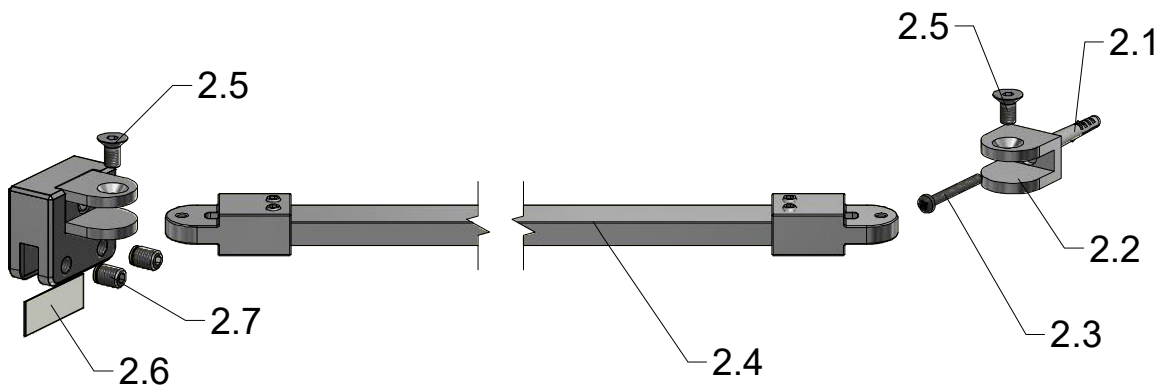
6. P6146

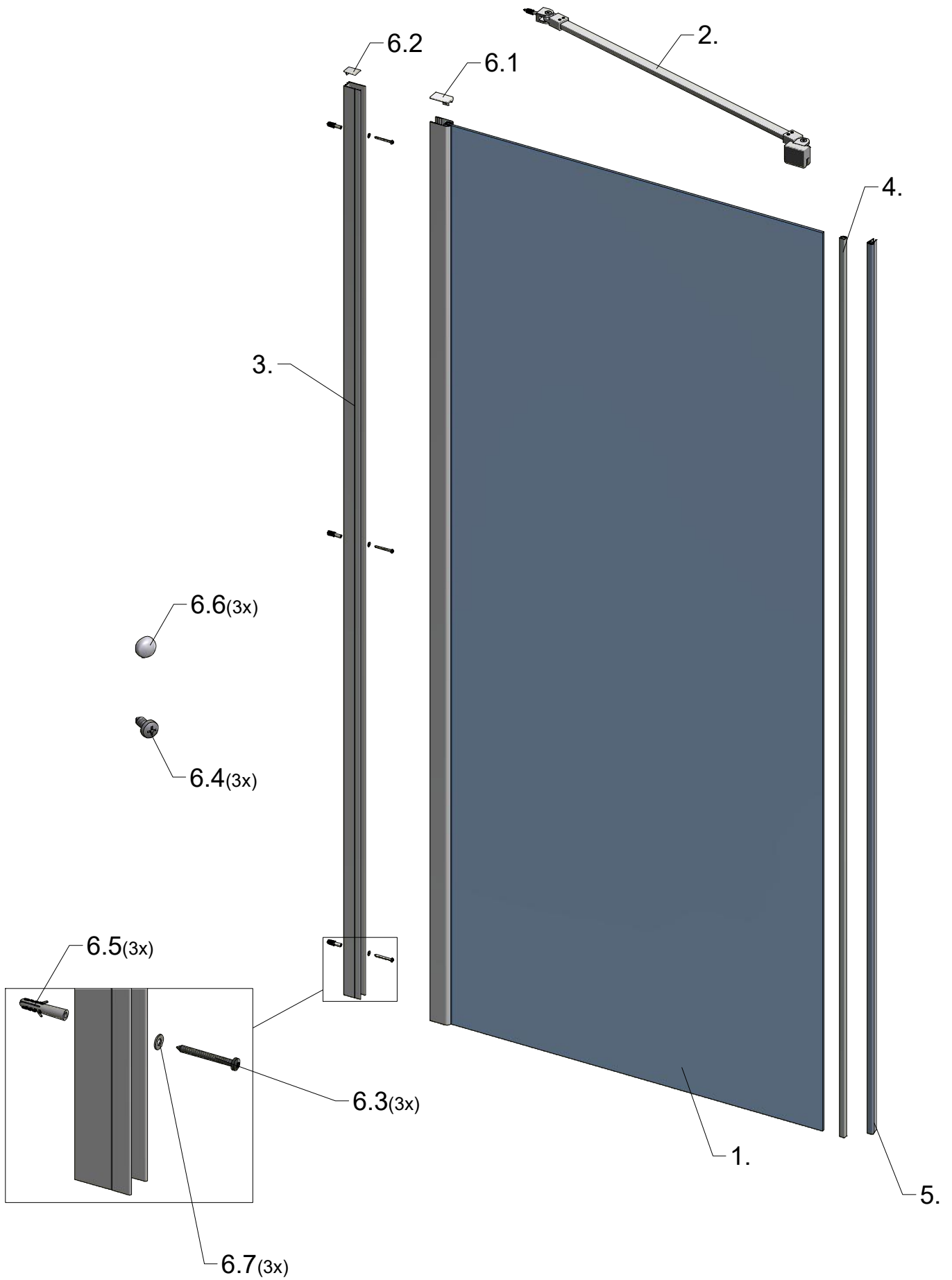
POS.	PREVIEW	PCS	SPARE PART
1.		1	V294
2.		1	MB0231
3.		1	P5879
4.		1	P6136
5.		1	P6135
6.	ACCESSORIES	1	P6146

POS.	PREVIEW	
6.1		
6.2		
6.3	3x	
6.4	3x	
6.5	3x	
6.6	3x	
6.7	3x	

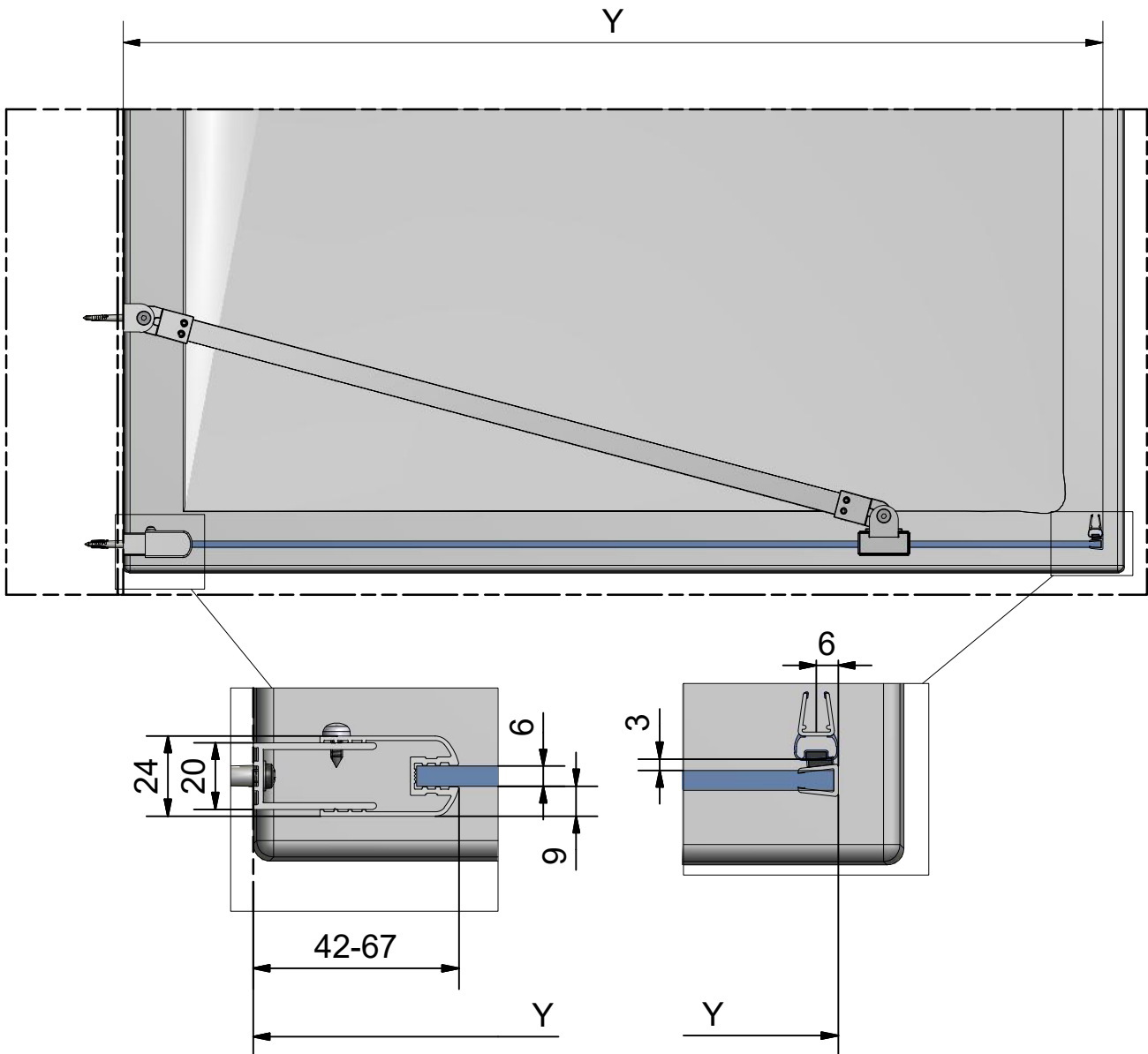
1. V294

SIZE	GLASS + PROFILE	SPARE PART
750	clear glass+brillant	ND03-0938-00-02
800	clear glass+brillant	ND03-0906-00-02
900	clear glass+brillant	ND03-0907-00-02
910	clear glass+brillant	ND03-0917-00-02
1000	clear glass+brillant	ND03-0918-00-02
1100	clear glass+brillant	ND03-0919-00-02
1200	clear glass+brillant	ND03-0920-00-02



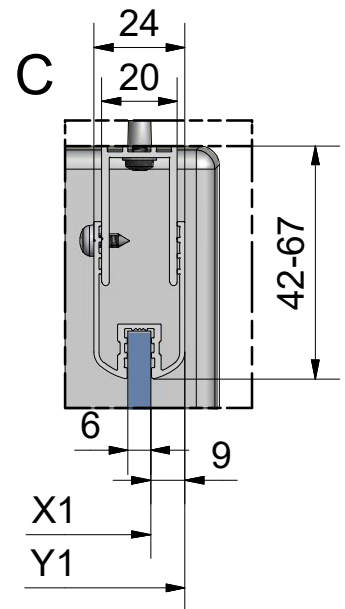
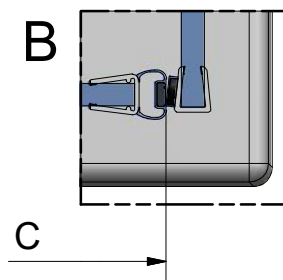
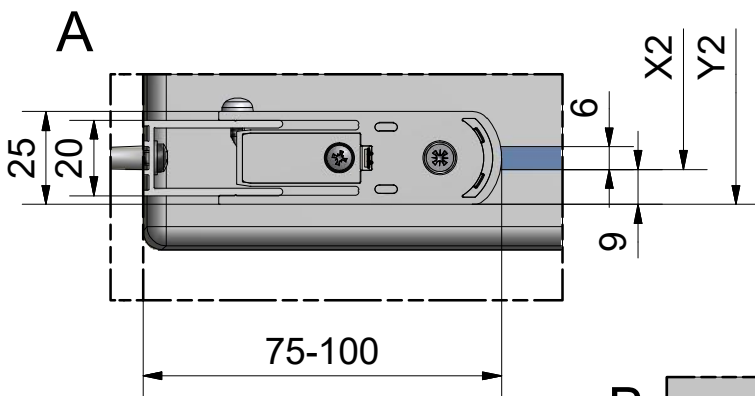
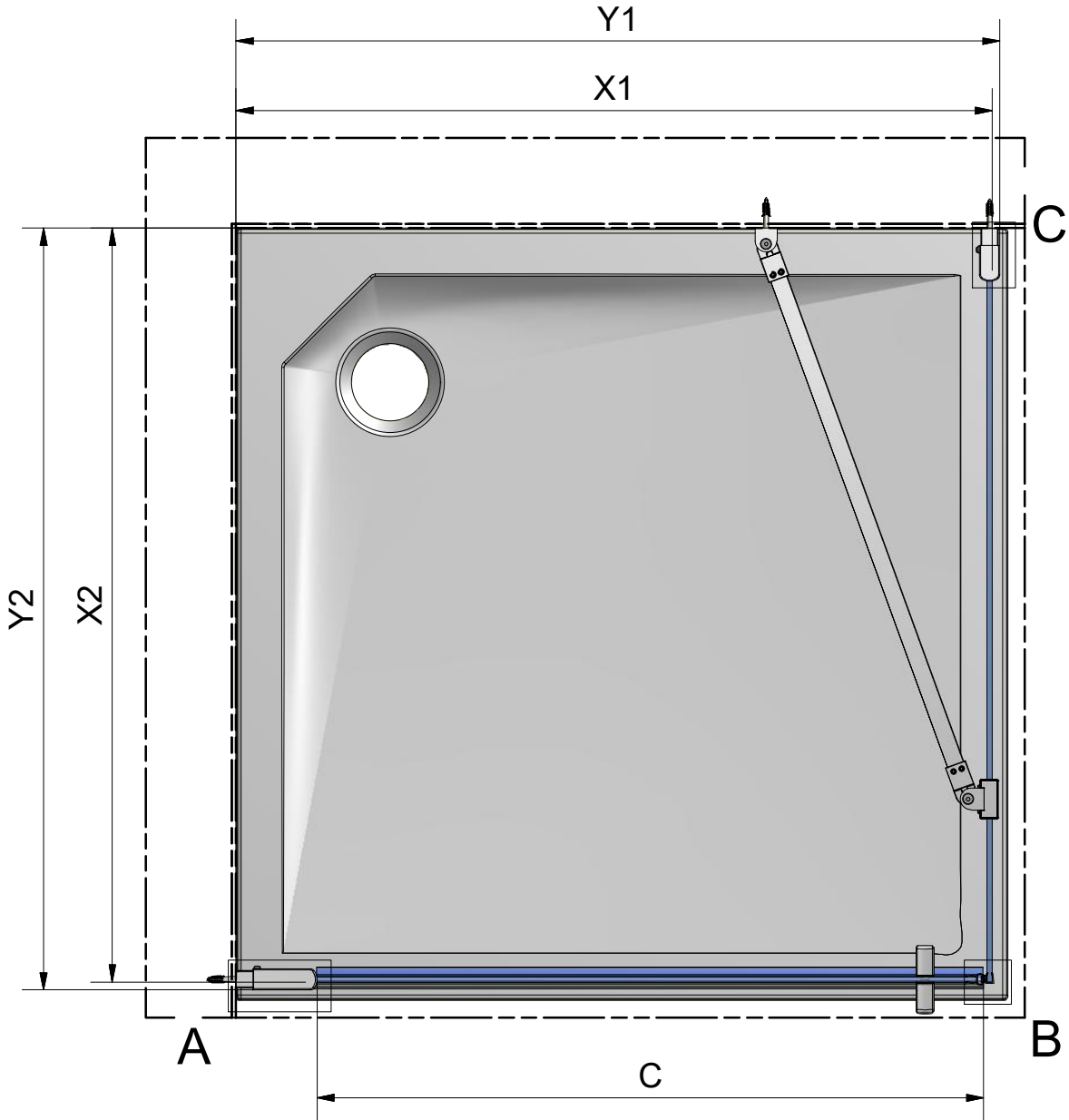


CI FXG



CI FXG	
TYPE	Y (mm)
750	711-736
800	761-786
900	861-886
910	885-910
1000	961-986
1100	1061-1086
1200	1161-1186

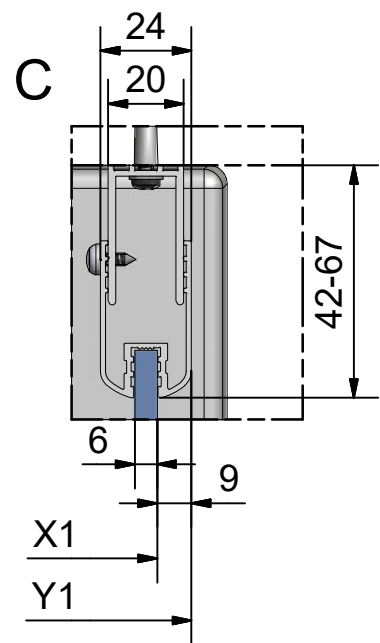
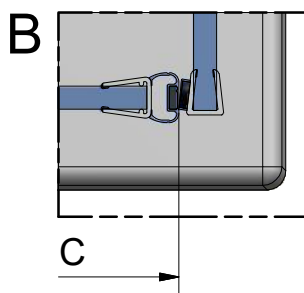
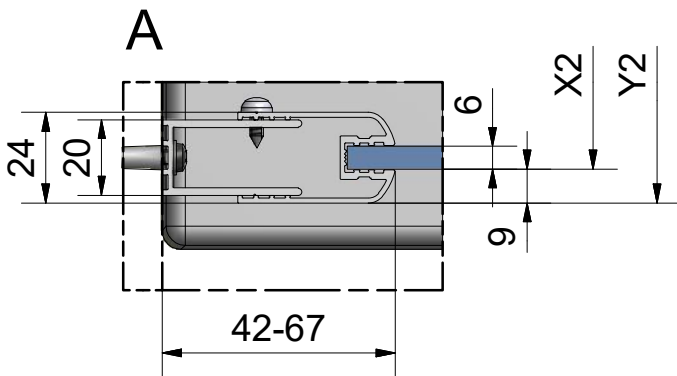
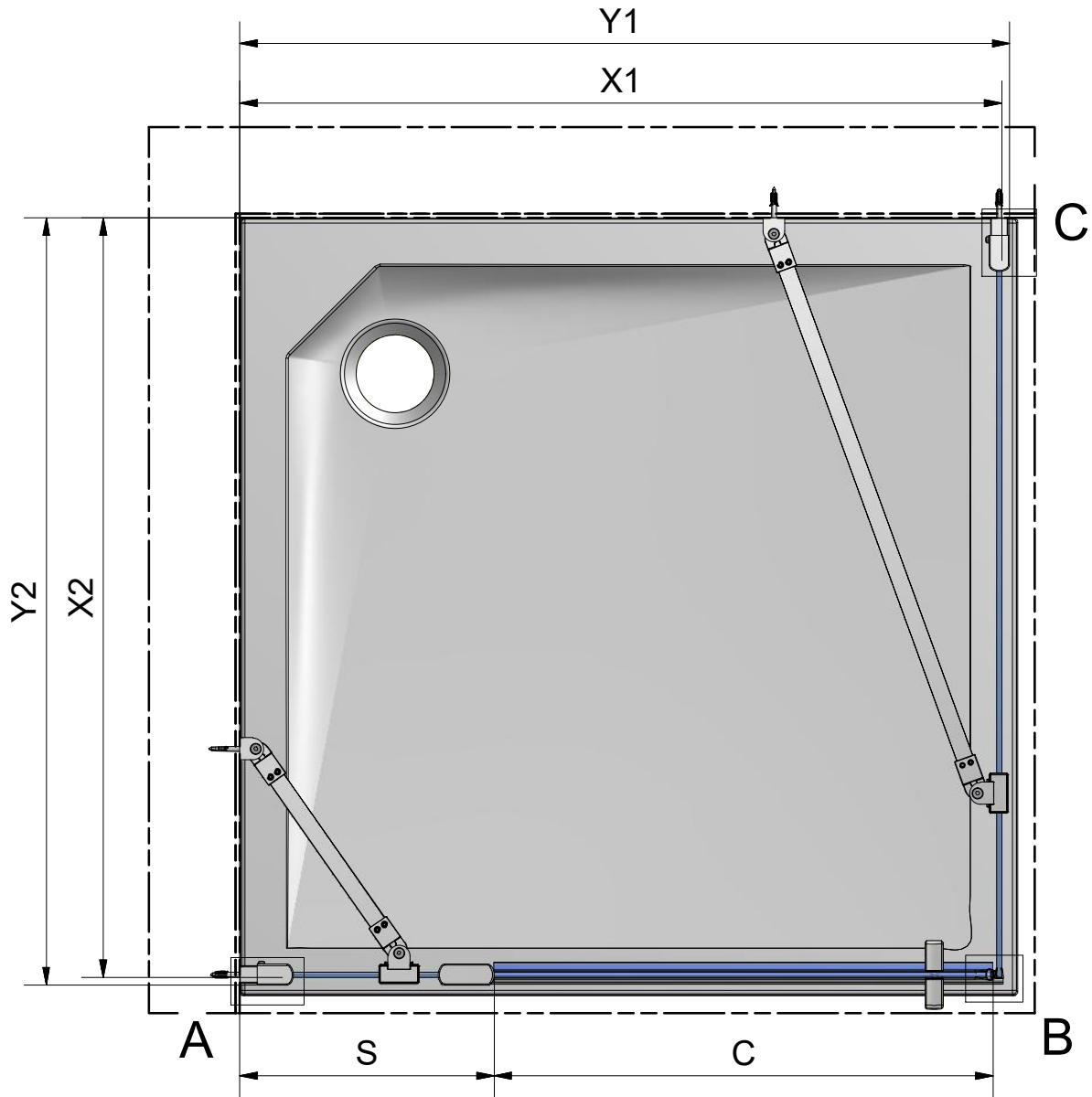
CI FXG + CI PIG



CI FXG + CI PIG

CI FXG + CI PIG					
TYPE	X1 (mm)	Y1 (mm)	C (mm)	X2 (mm)	Y2 (mm)
750	712-737	721-746	627	709-734	718-743
800	762-787	771-796	677	759-784	768-793
900	862-887	871-896	777	859-884	868-893
910	-	-	-	883-908	892-917
1000	962-987	971-996	877	959-984	968-993
1100	-	-	-	1059-1084	1068-1093
1200	-	-	-	1159-1184	1168-1193
1400	-	-	-	-	-

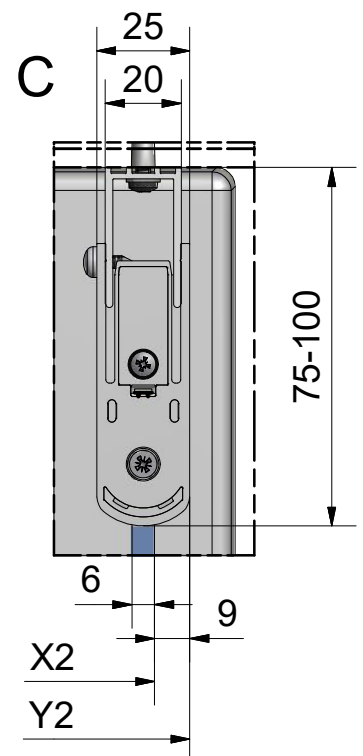
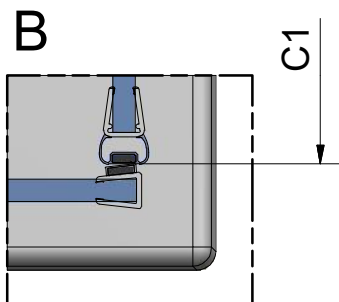
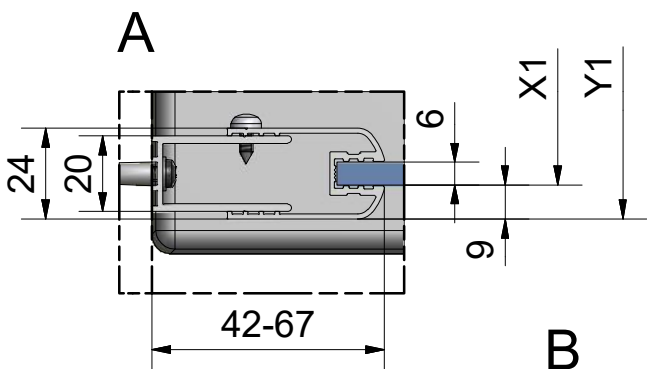
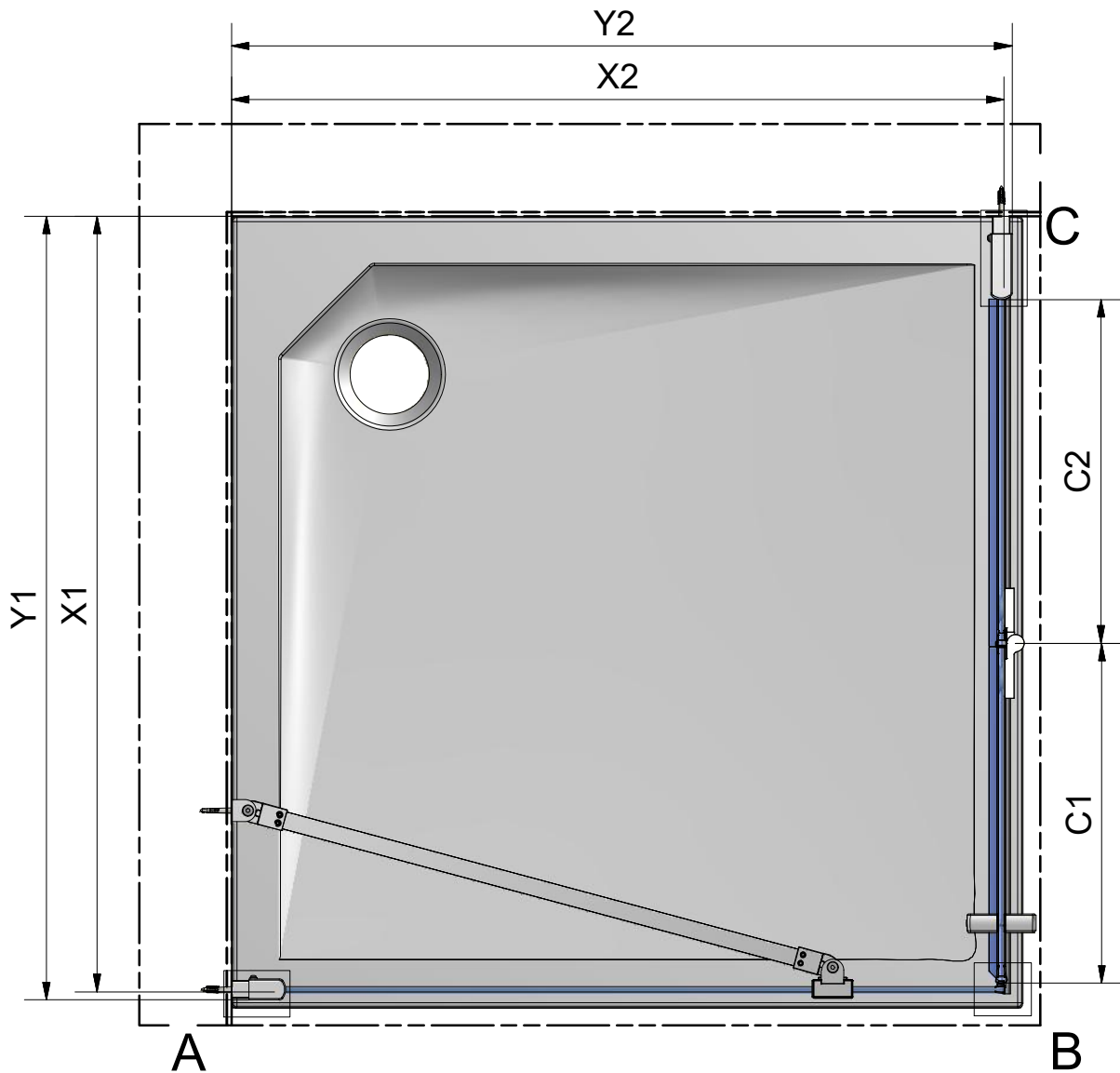
CI FXG + CI EPF



CI FXG + CI EPF

CI FXG + CI EPF						
TYPE	X1 (mm)	Y1 (mm)	C (mm)	S (mm)	X2 (mm)	Y2 (mm)
750	712-737	721-746	425	275-300	709-734	718-743
800	762-787	771-796	475	275-300	759-784	768-793
900	862-887	871-896	575	275-300	859-884	868-893
910	-	-	-	-	883-908	892-917
1000	962-987	971-996	625	325-350	959-984	968-993
1100	1062-1087	1071-1096	725	325-350	1059-1087	1068-1093
1200	1162-1187	1171-1196	725	425-450	1159-1184	1168-1193
1400	1362-1387	1371-1396	875	475-500	-	-

CI FXG + CI 2CR (CI 2CL)

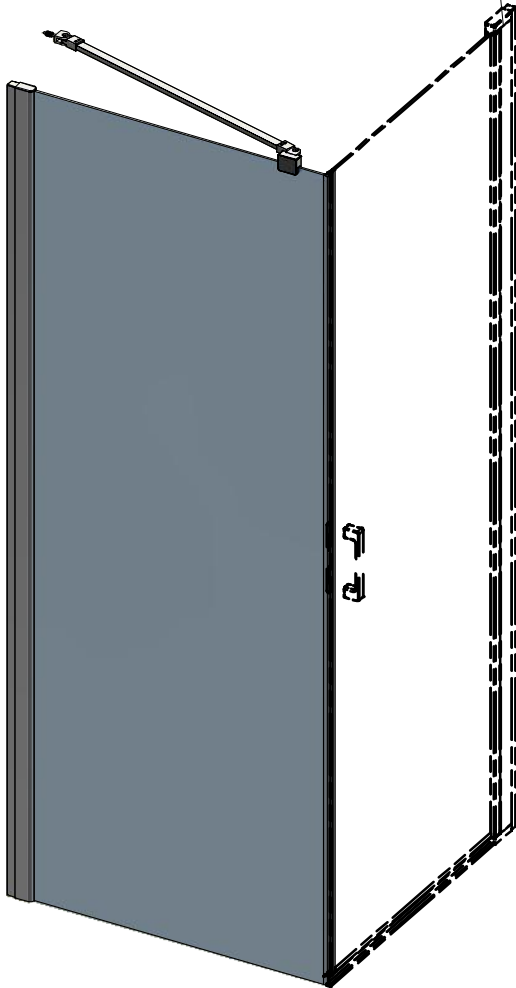


CI FXG + CI 2CR

CI FXG + CI 2CR (CI 2CL)						
TYPE	X1 (mm)	Y1 (mm)	C1 (mm)	C2 (mm)	X2 (mm)	Y2 (mm)
750	-	-	-	-	709-734	718-743
800	762-787	771-796	335	340	759-784	768-793
900	862-887	871-896	385	390	859-884	868-893
910	-	-	-	-	883-908	892-917
1000	962-987	971-996	435	440	959-984	968-993
1100	-	-	-	-	1059-1084	1068-1093
1200	-	-	-	-	1159-1184	1168-1193
1400	-	-	-	-	-	-

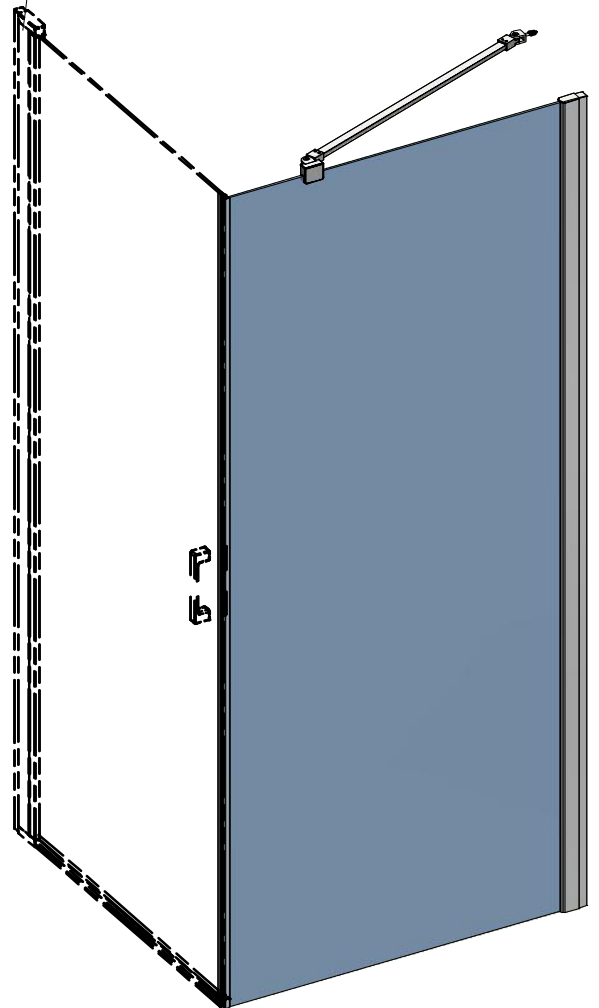
CI FXG

Follow the assembly instructions included with the second product

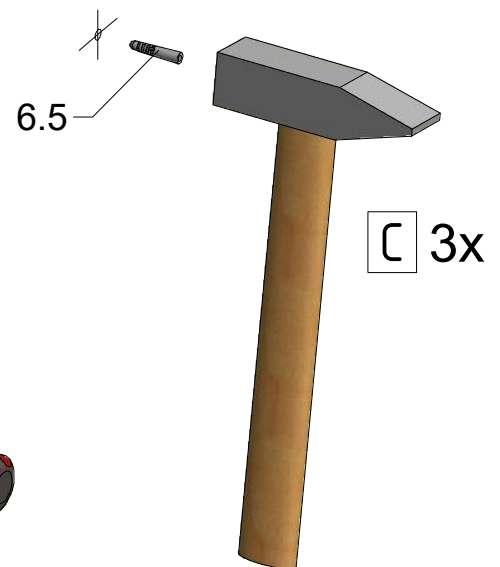
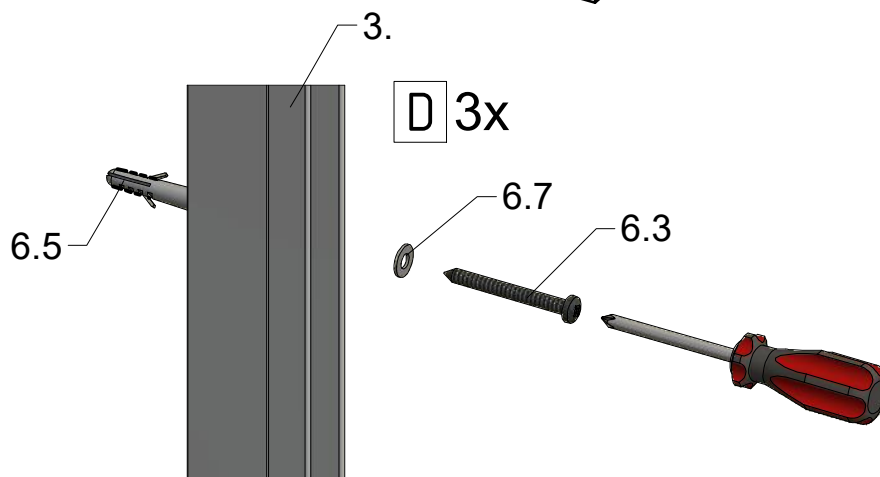
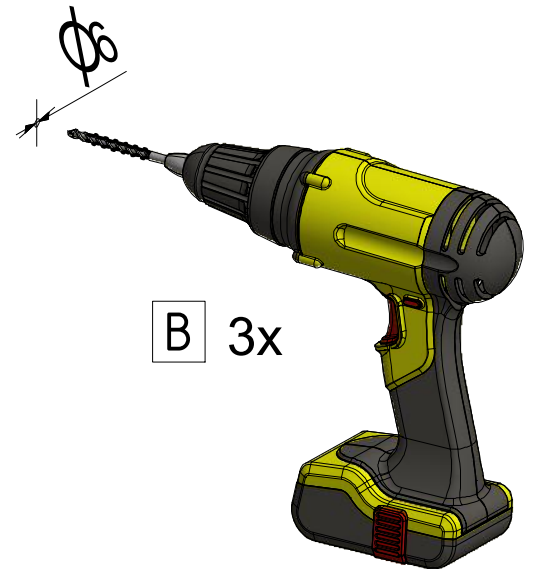
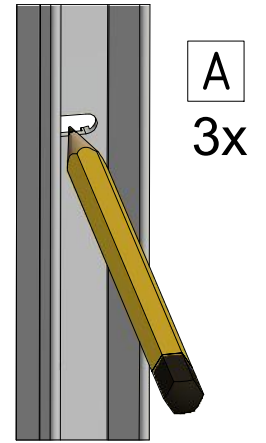
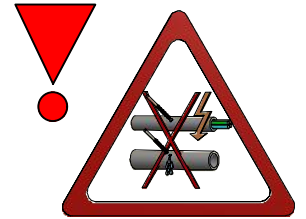
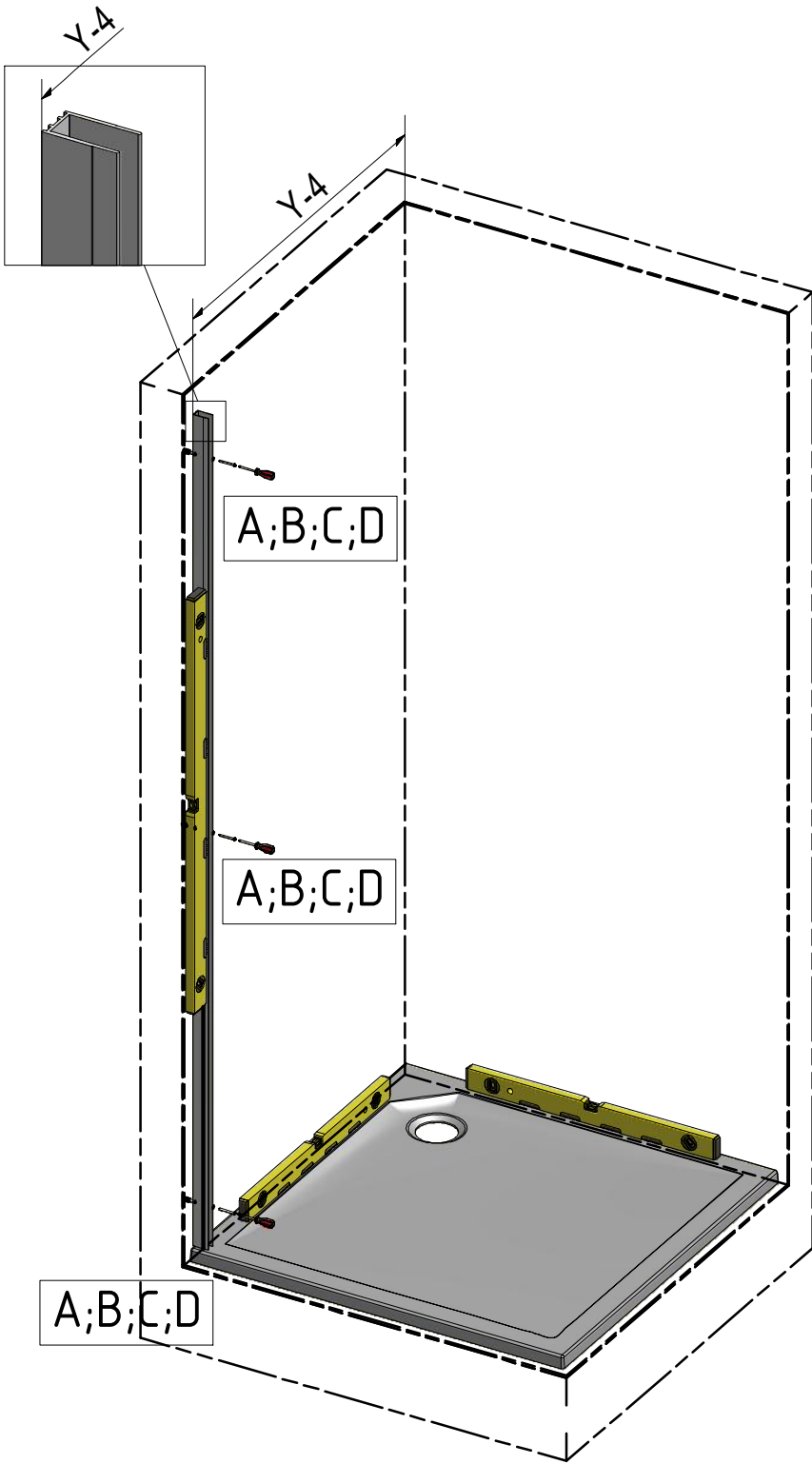


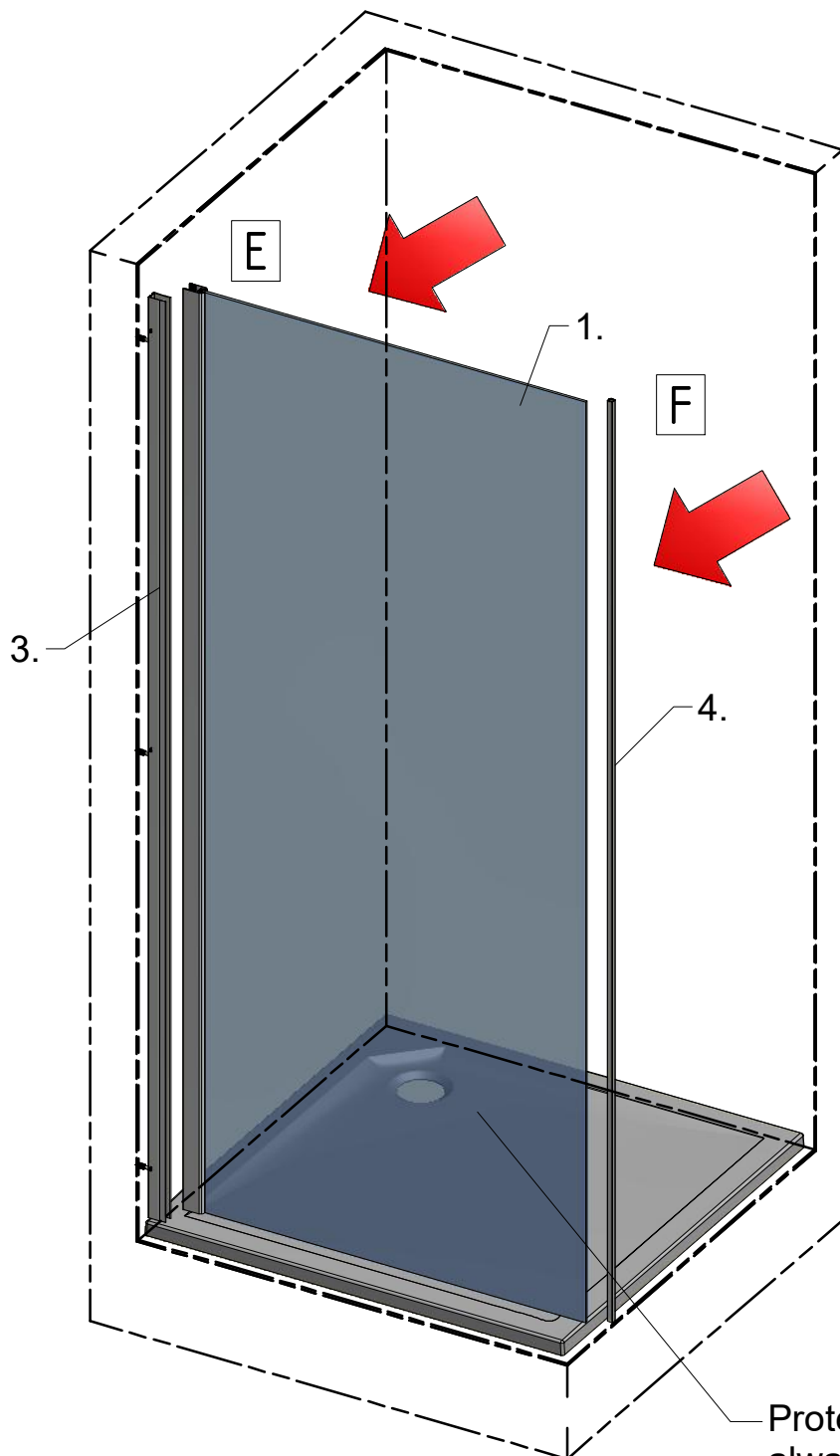
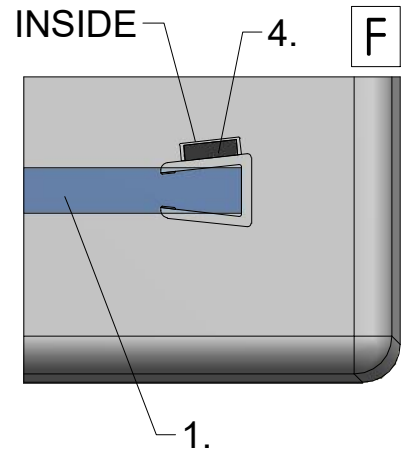
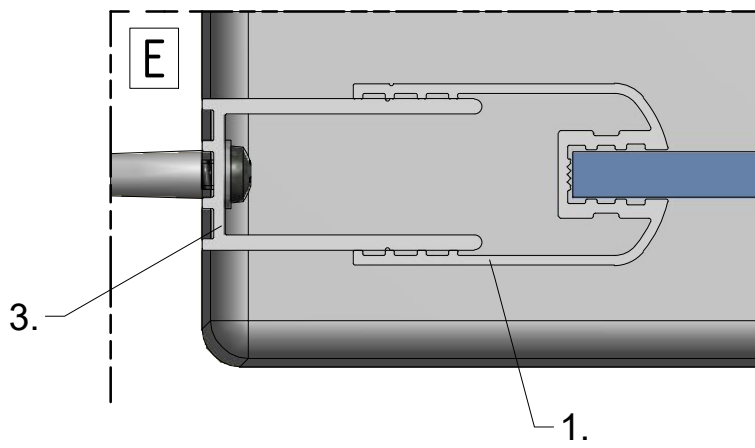
**LEFT Installation
CI FXG**

Follow the assembly instructions included with the second product

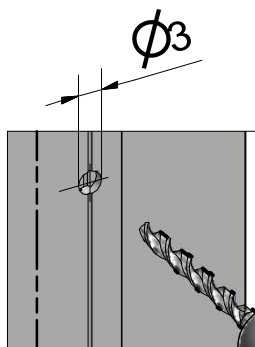
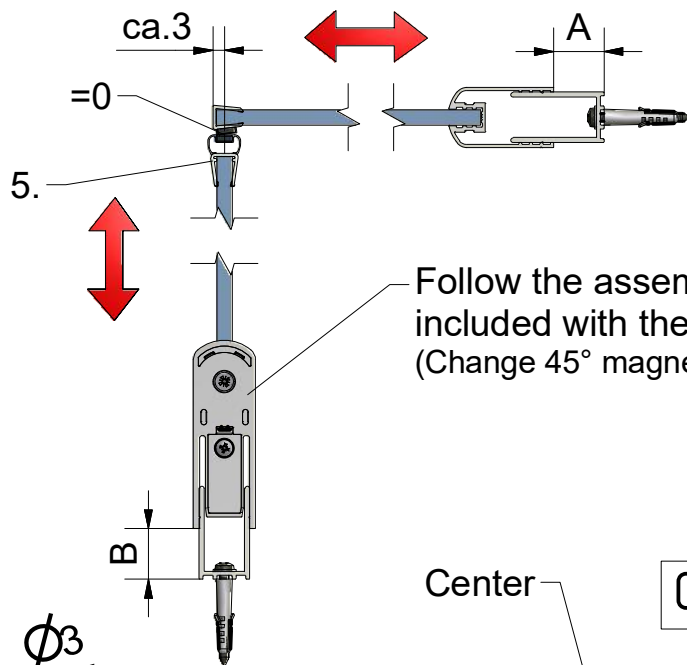


**RIGHT Installation
CI FXG**

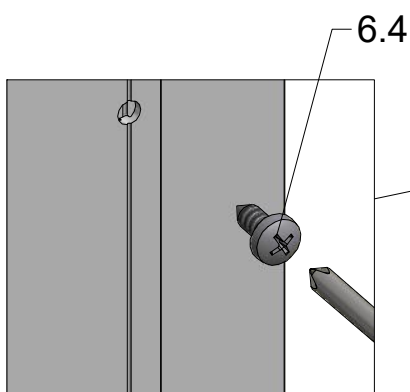




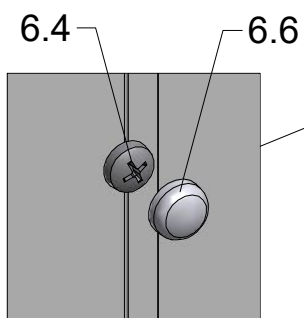
Protective layer ROTH ETC
always in the shower area
(designed for contact with water)



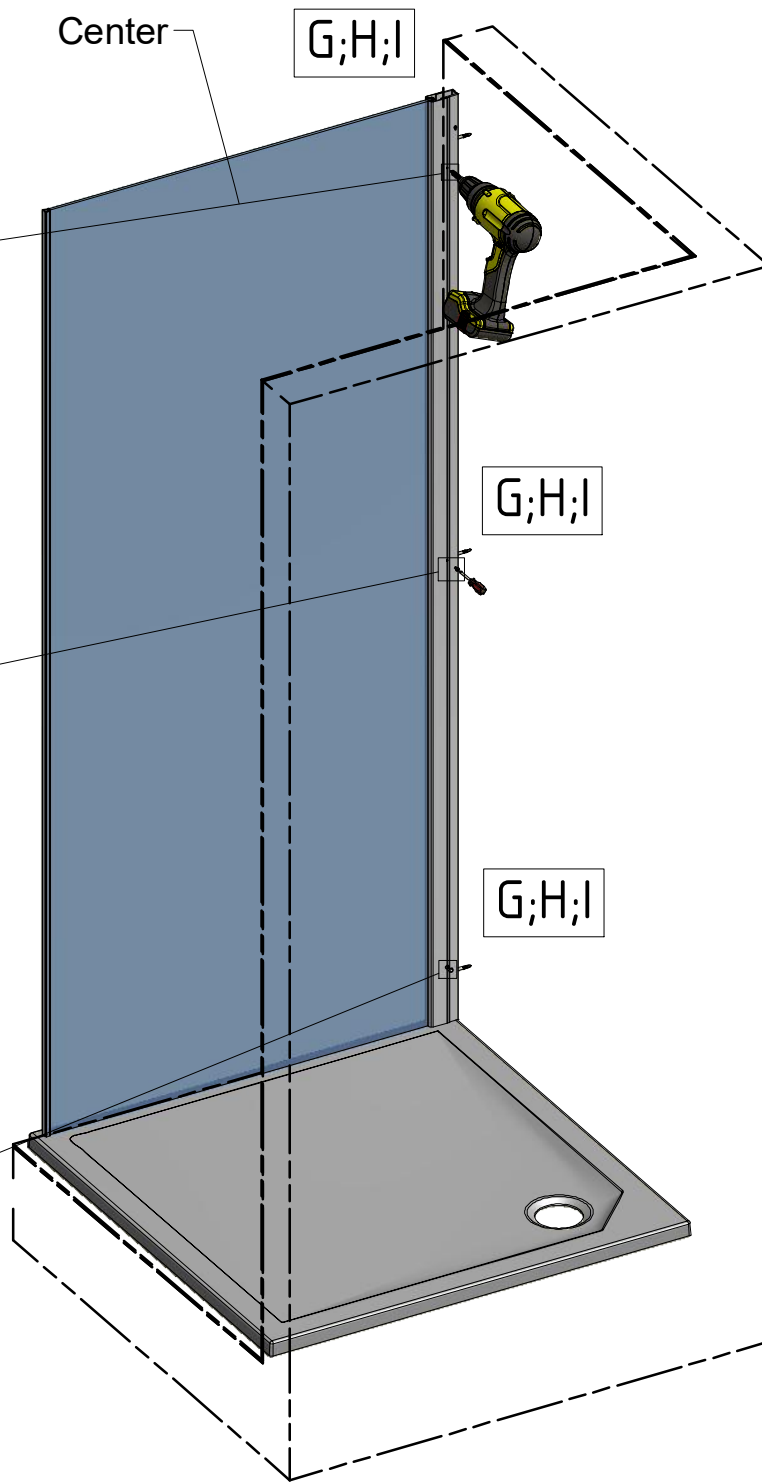
G 3x

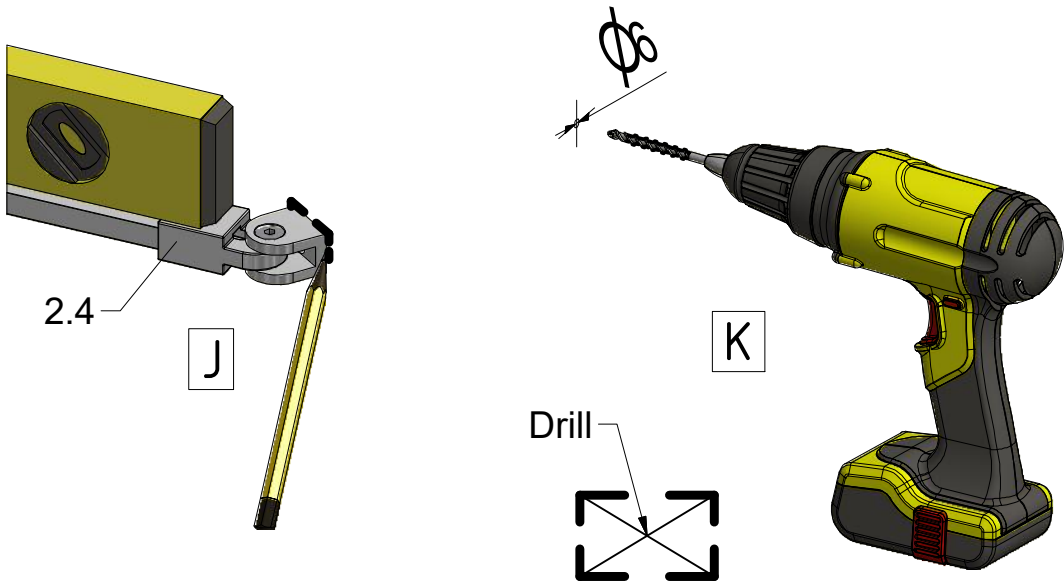


H 3x

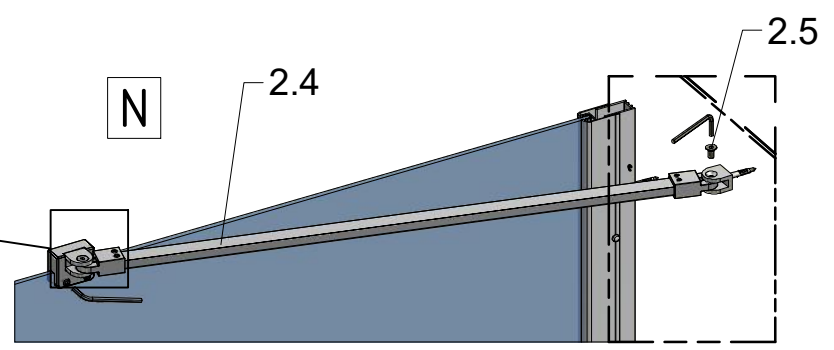
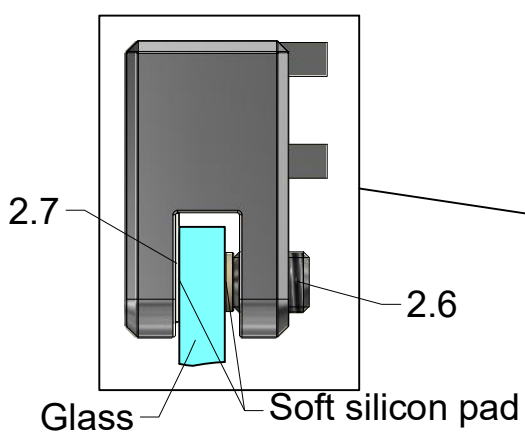
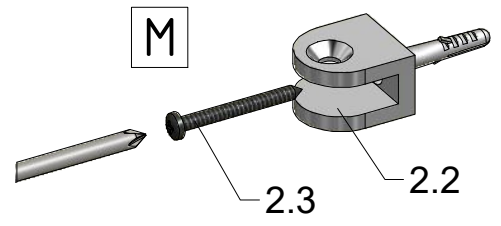
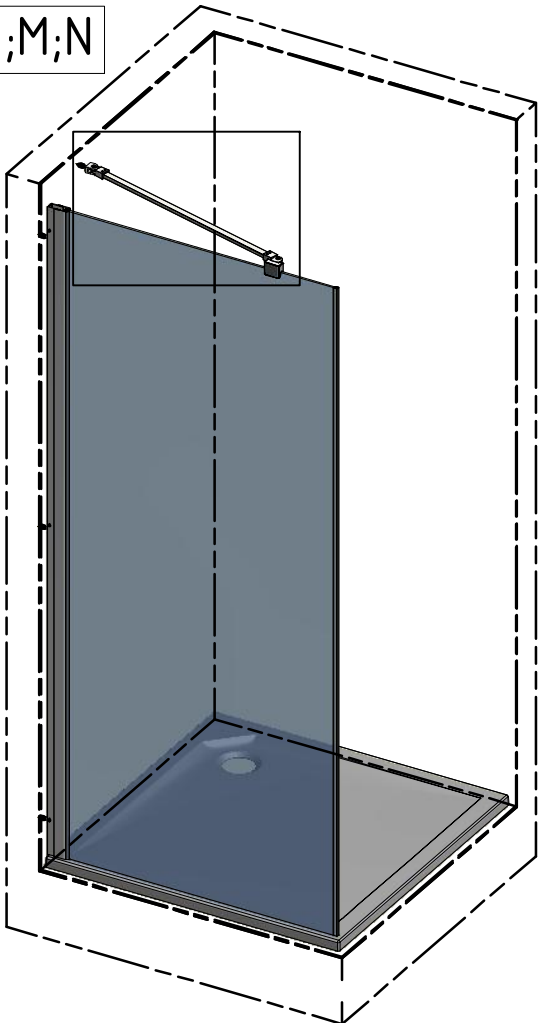


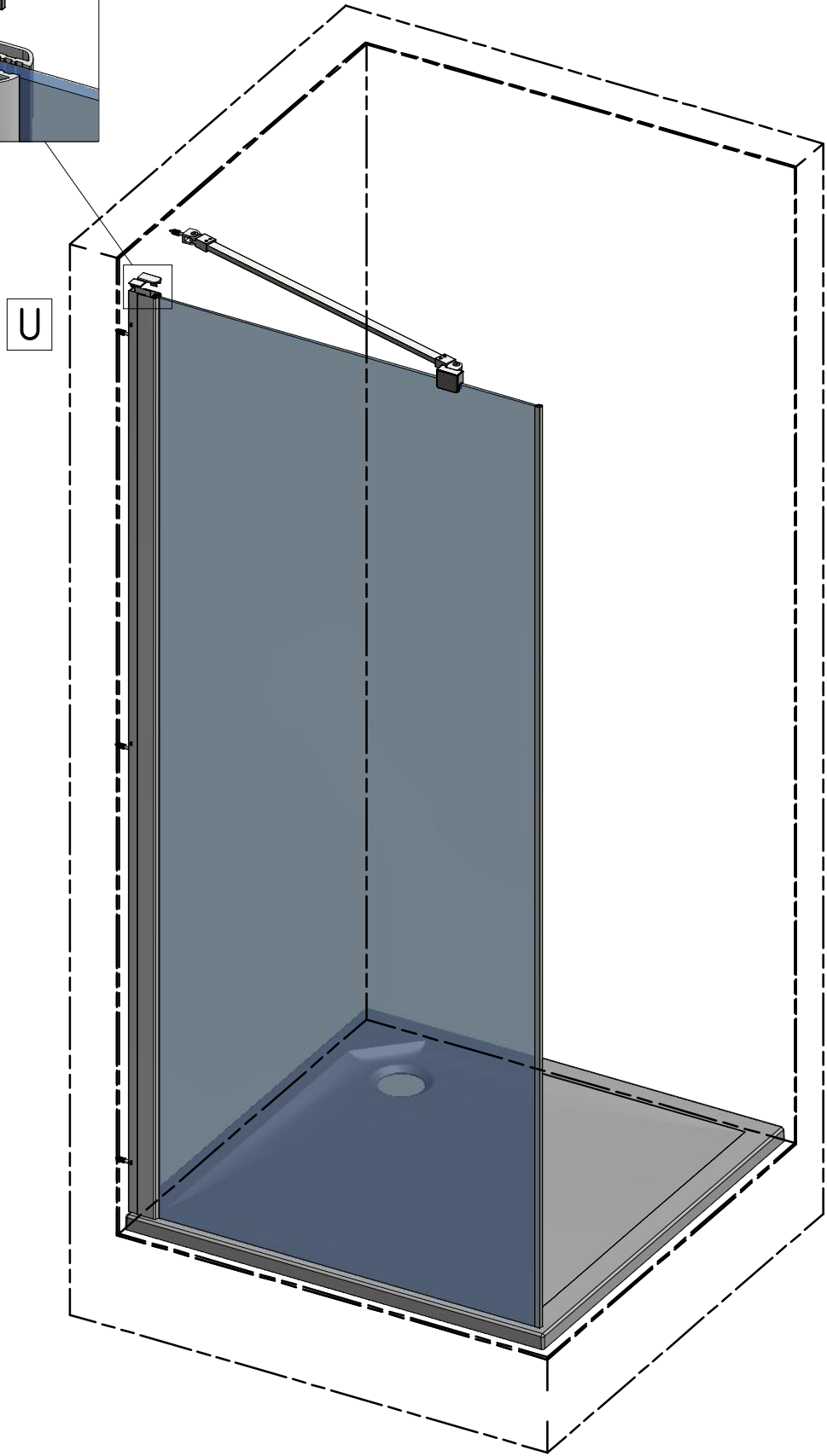
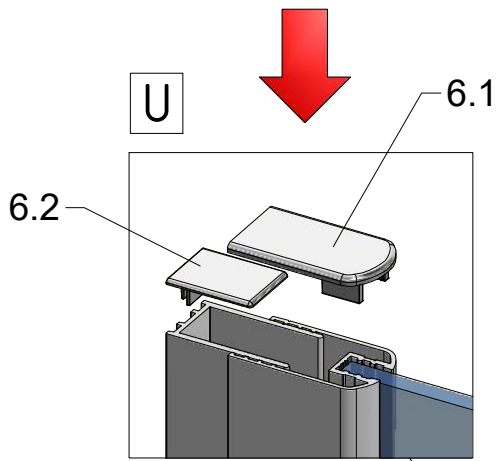
I 3x





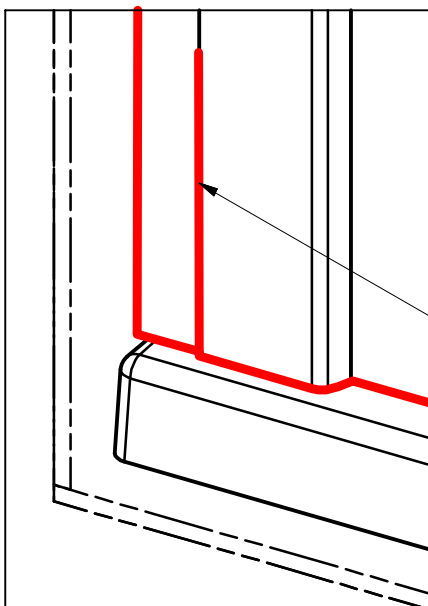
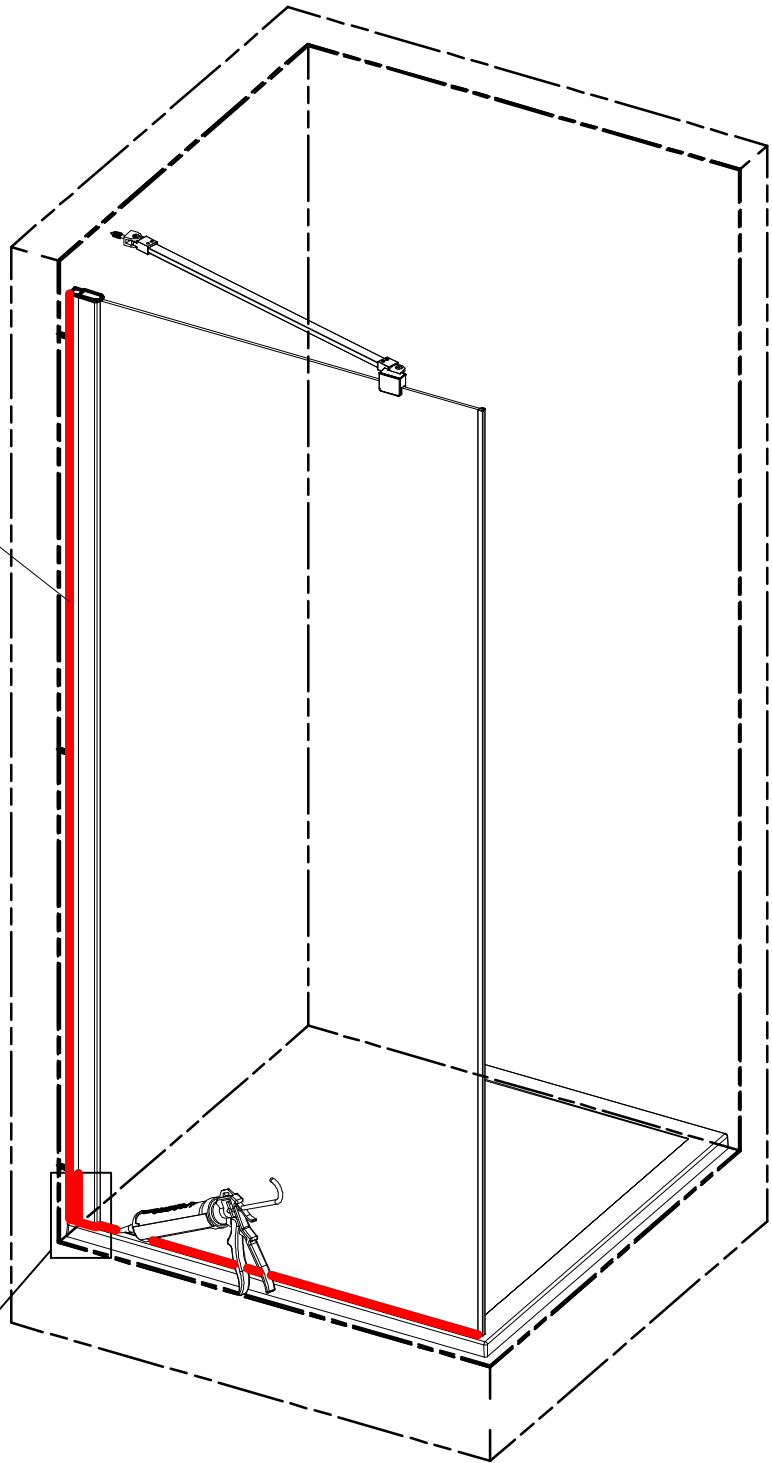
J;K;L;M;N



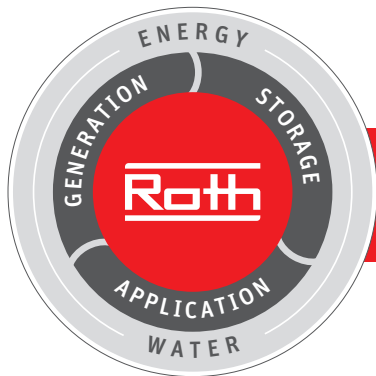




SILICONE



SILICONE
MIN 100mm



Roth Energy and Sanitary Systems

Generation

- Solar systems <
- Heat pump systems <

Storage

- Storage systems for Domestic & heating water <
- Combustibles and biofuels <
- Rainwater and waste water <

Application

- > Radiant heating and cooling systems
- > Pipe installation systems
- > Shower system

Roth

■ Deutschland

ROTH WERKE GMBH
Am Seerain 2
35232 Dautphetal
Telefon: 06466/922-0
Telefax: 06466/922-100
E-Mail: service@roth-werke.de
www.roth-werke.de

■ Czech Republic

Roth Czech s.r.o.
Třebořov 160
569 33 Třebořov
Tel.: +420 461 353 611
E-Mail: objednavky@roth-czech.cz
www.roth-czech.cz

■ France

ROTH FRANCE
CS 20090
78, rue Ampère - ZI
77465 Lagny sur Marne Cedex
Tél.: +420 461 353 611
www.roth-france.fr