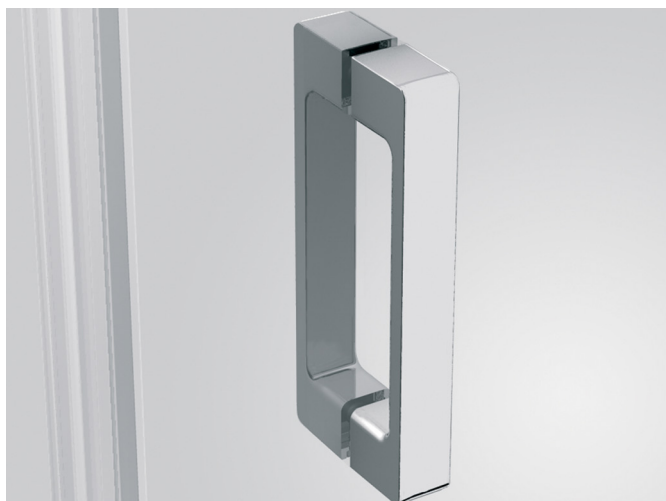


Sanitary Systems

**Roth Cariba CI EPF**

**Roth**



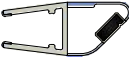
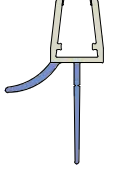

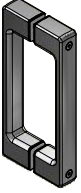
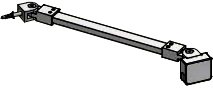
**Assembling Instruction**  
**Montageanleitung**  
**Notice de montage**  
**Montážní návod**

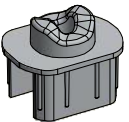


*Shower for life*



## CI EPF

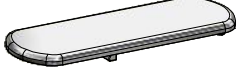
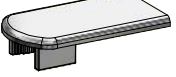









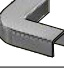

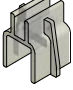
POS.	PREVIEW	PCS	SPARE PART
1.		1	V308
2.		1	FIX
3.		1	P6139
4.		1	P6122
5.		1	P6133
6.		1	MA9198
7.	ACCESSORIES	1	P6151
8.		1	P317

POS.	PREVIEW	PCS	SPARE PART
1.1		2	MA9747

## 2. FIX

POS.	PREVIEW	PCS	SPARE PART
2.1		1	V307
2.2		2	MA9742
2.3		1	P5941
2.4		1	ND01-3398
2.5		2	M3372

## 7. P6151

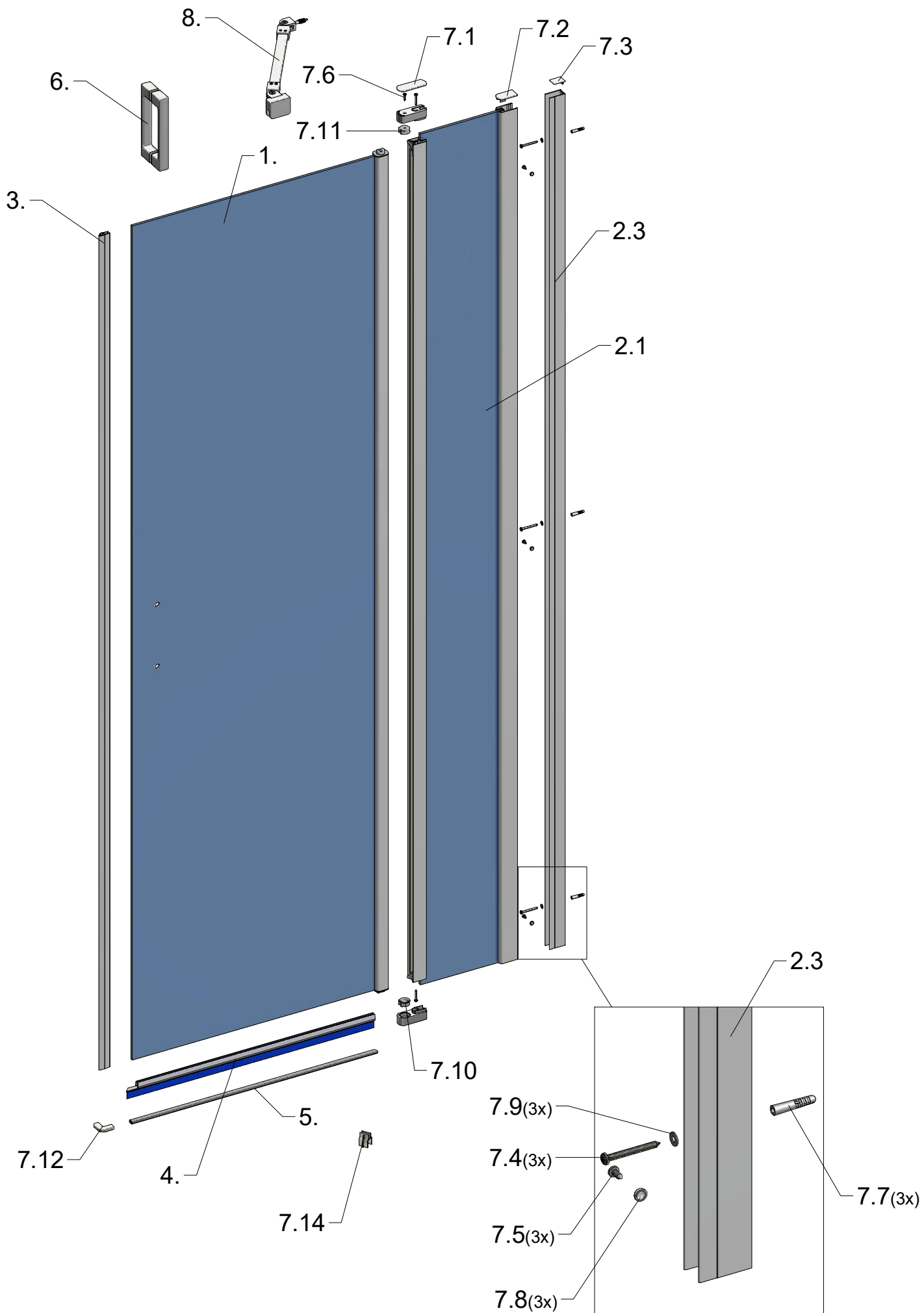
POS.	PREVIEW
7.1	
7.2	
7.3	
7.4	3x 
7.5	3x 
7.6	
7.7	3x 
7.8	3x 
7.9	3x 
7.10	
7.11	
7.12	
7.13	
7.14	

1. V308		
SIZE	GLASS + PROFILE	SPARE PART
750	clear glass+brillant	ND02-0960-00-02
800	clear glass+brillant	ND02-0961-00-02
900	clear glass+brillant	ND02-0962-00-02
1000	clear glass+brillant	ND02-0932-00-02
1100	clear glass+brillant	ND02-0963-00-02
1200	clear glass+brillant	ND02-0963-00-02
1400	clear glass+brillant	ND02-0935-00-02

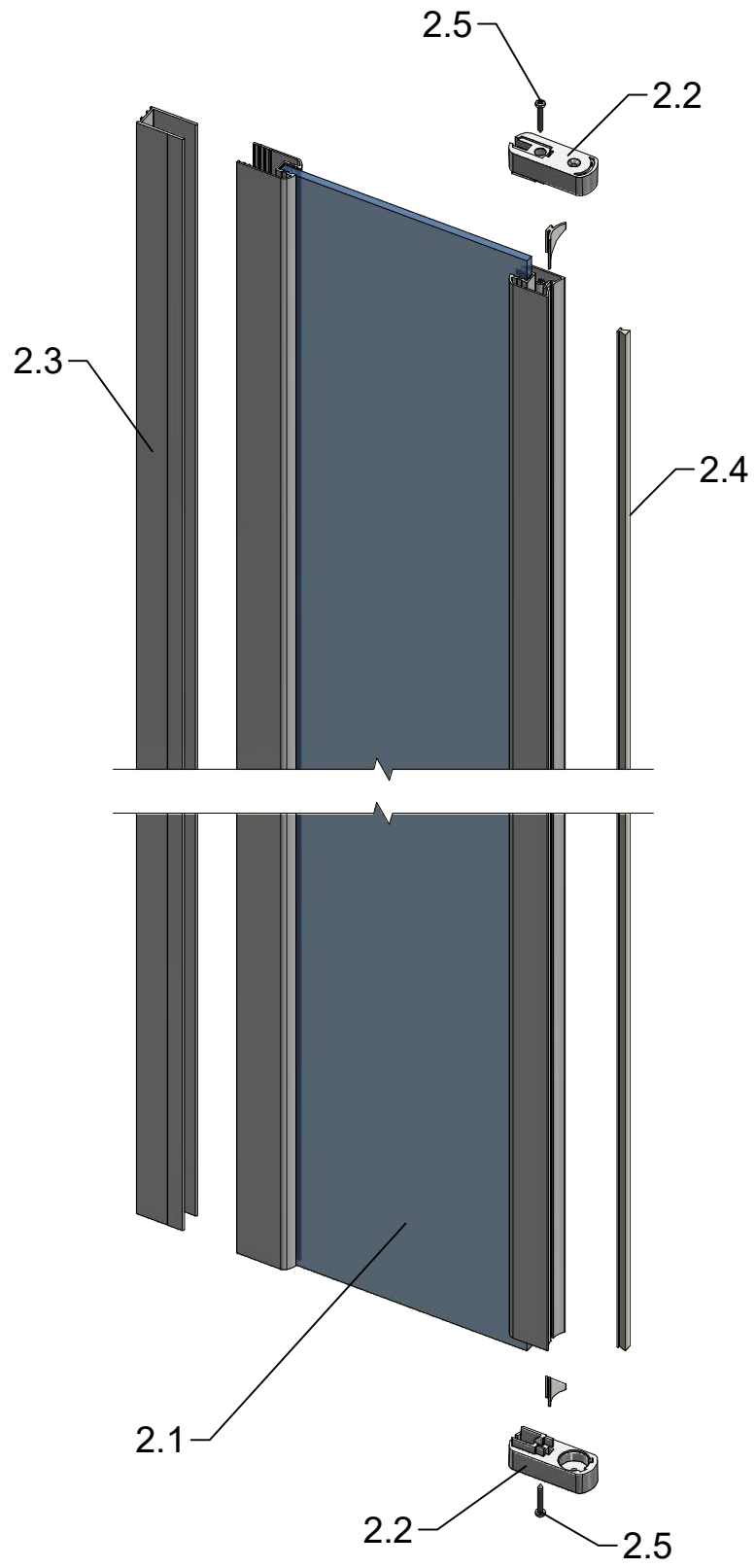
2.1 V307		
SIZE	PROFILE + GLASS + PROFILE	SPARE PART
750	clear glass+brillant	ND03-0965-00-02
800	clear glass+brillant	ND03-0965-00-02
900	clear glass+brillant	ND03-0965-00-02
1000	clear glass+brillant	ND03-0966-00-02
1100	clear glass+brillant	ND03-0966-00-02
1200	clear glass+brillant	ND03-0967-00-02
1400	clear glass+brillant	ND03-0969-00-02

8. P317		
SIZE	PROFILE	SPARE PART
750;800;900;1000;1100	brillant	MB0229
1200;1400	brillant	MB0230

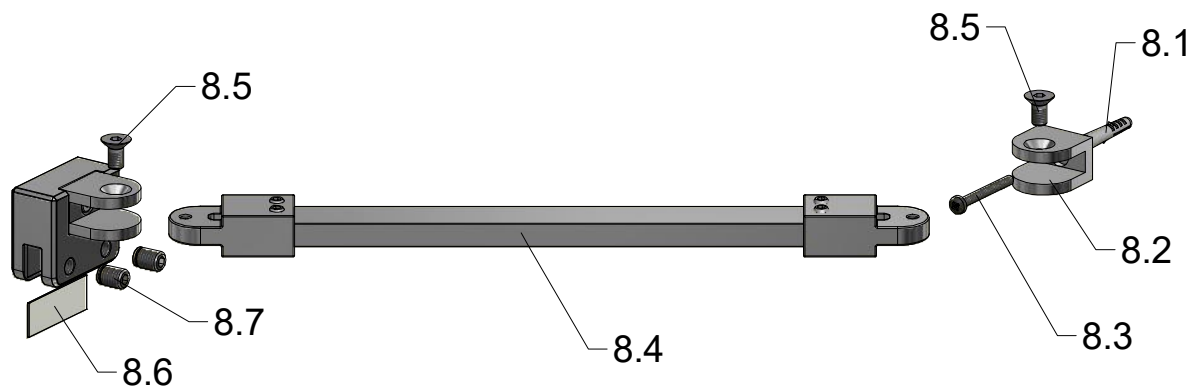
# CI EPF



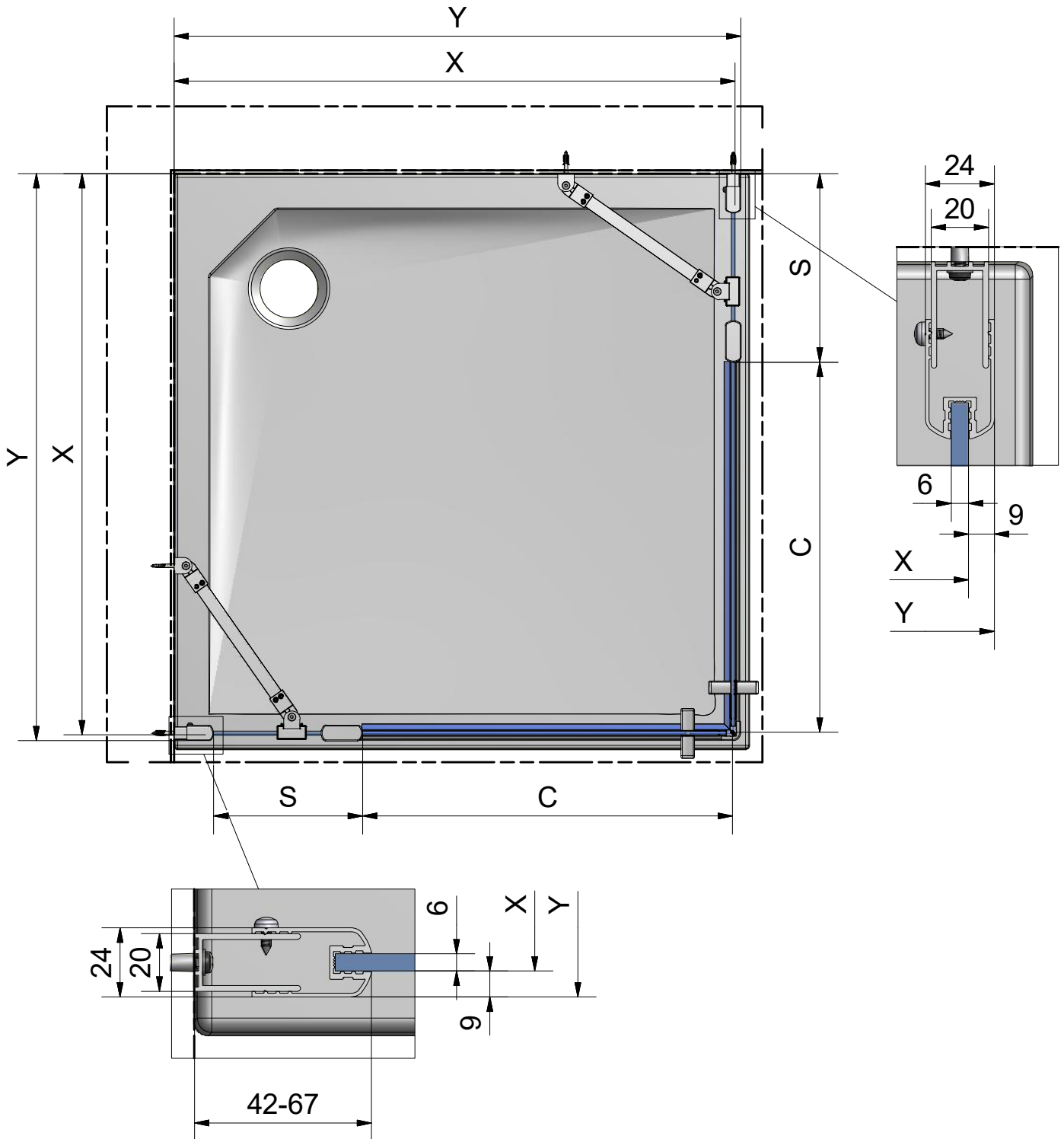
## 2. FIX



## 8. P317

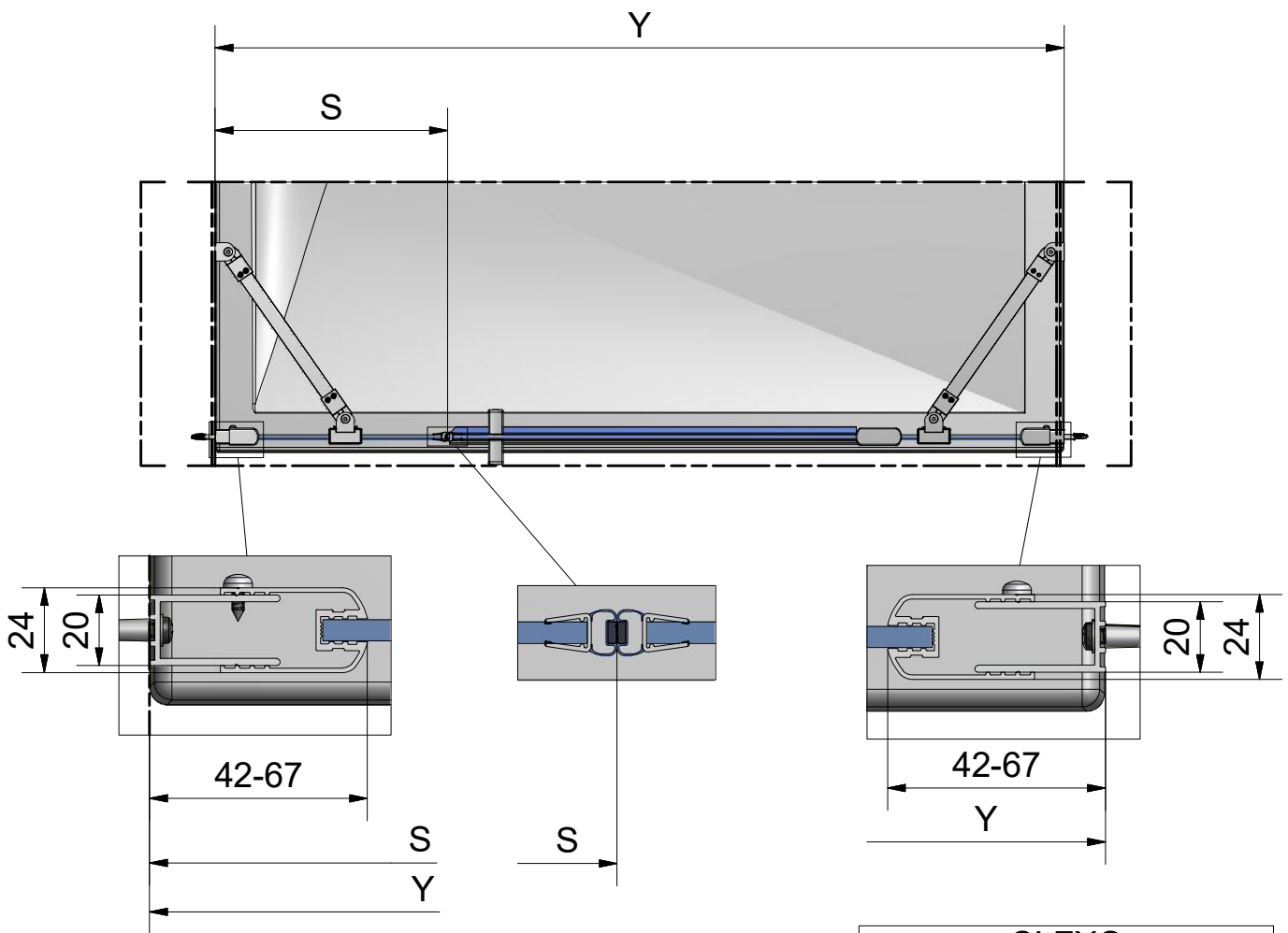


# CI EPF + CI EPF



CI EPF + CI EPF				
TYPE	X (mm)	Y (mm)	C (mm)	S (mm)
750	708-733	717-742	425	275-300
800	758-783	767-792	475	275-300
900	858-883	867-892	575	275-300
1000	958-983	967-992	625	325-350
1100	1058-1083	1067-1092	725	325-350
1200	1158-1183	1167-1192	725	425-450
1400	1358-1383	1367-1392	875	425-450

# CI EPF + CI FXO



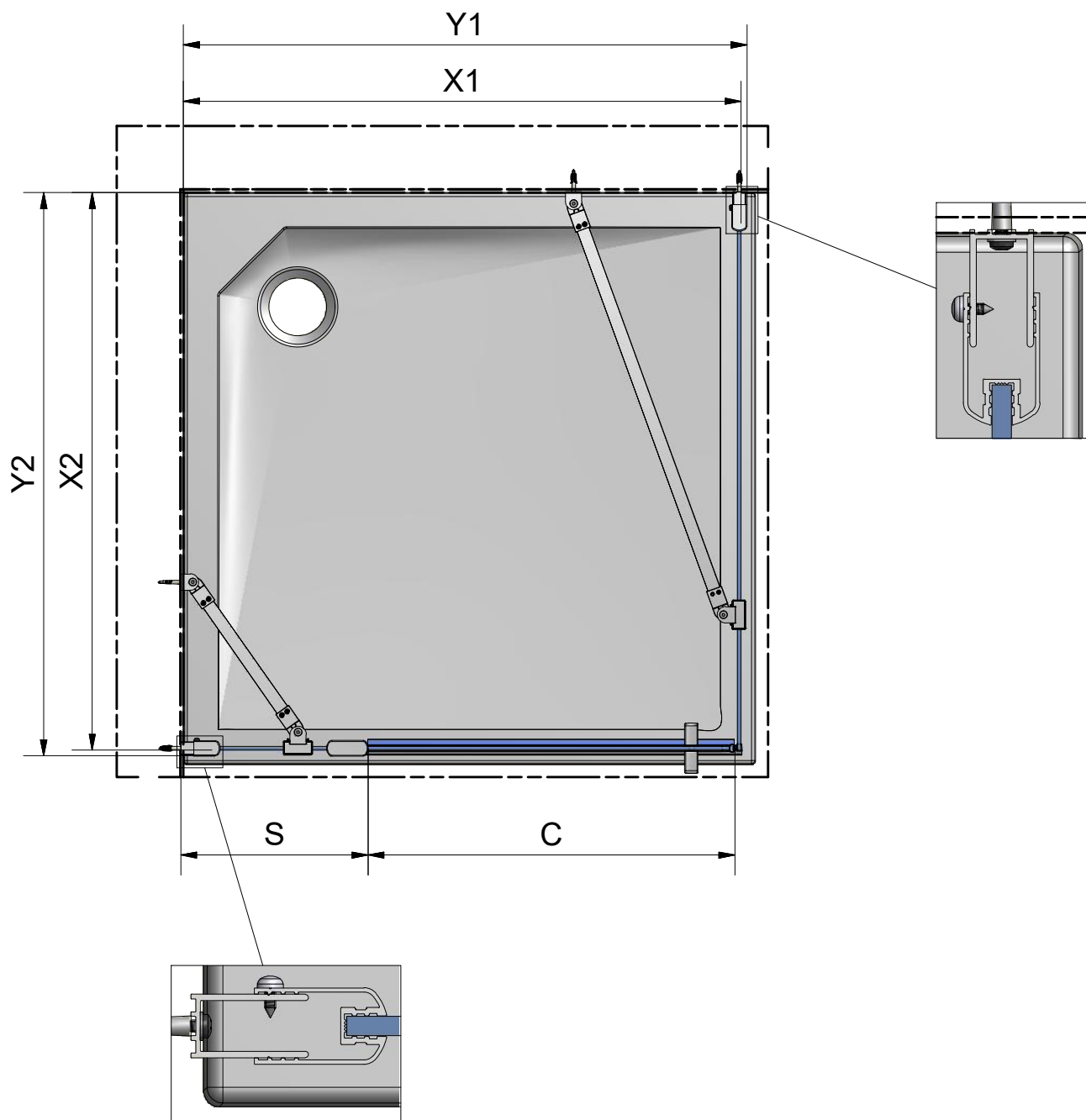
CI FXO	
TYPE	S (mm)
CI FXO 230	209-234
CI FXO 330	309-334
CI FXO 430	409-434
CI FXO 530	509-534
CI FXO 630	609-634

CI EPF + CI FXO				
TYPE	Y(CI EPF750)	Y(CI EPF800)	Y(CI EPF900)	Y(CI EPF1000)
CI FXO 230	910-960	960-1010	1060-1110	1160-1210
CI FXO 330	1010-1060	1060-1110	1160-1210	1260-1310
CI FXO 430	1110-1160	1160-1210	1260-1310	1360-1410
CI FXO 530	1210-1260	1260-1310	1360-1410	1460-1510
CI FXO 630	1310-1360	1360-1410	1460-1510	1560-1610

CI EPF + CI FXO			
TYPE	Y (CI EPF 1100)	Y (CI EPF1200)	Y (CI EPF1400)
CI FXO 230	1260-1310	1360-1410	1560-1610
CI FXO 330	1360-1410	1460-1510	1660-1710
CI FXO 430	1460-1510	1560-1610	1760-1810
CI FXO 530	1560-1610	1660-1710	1860-1910
CI FXO 630	1660-1710	1760-1810	1960-2012

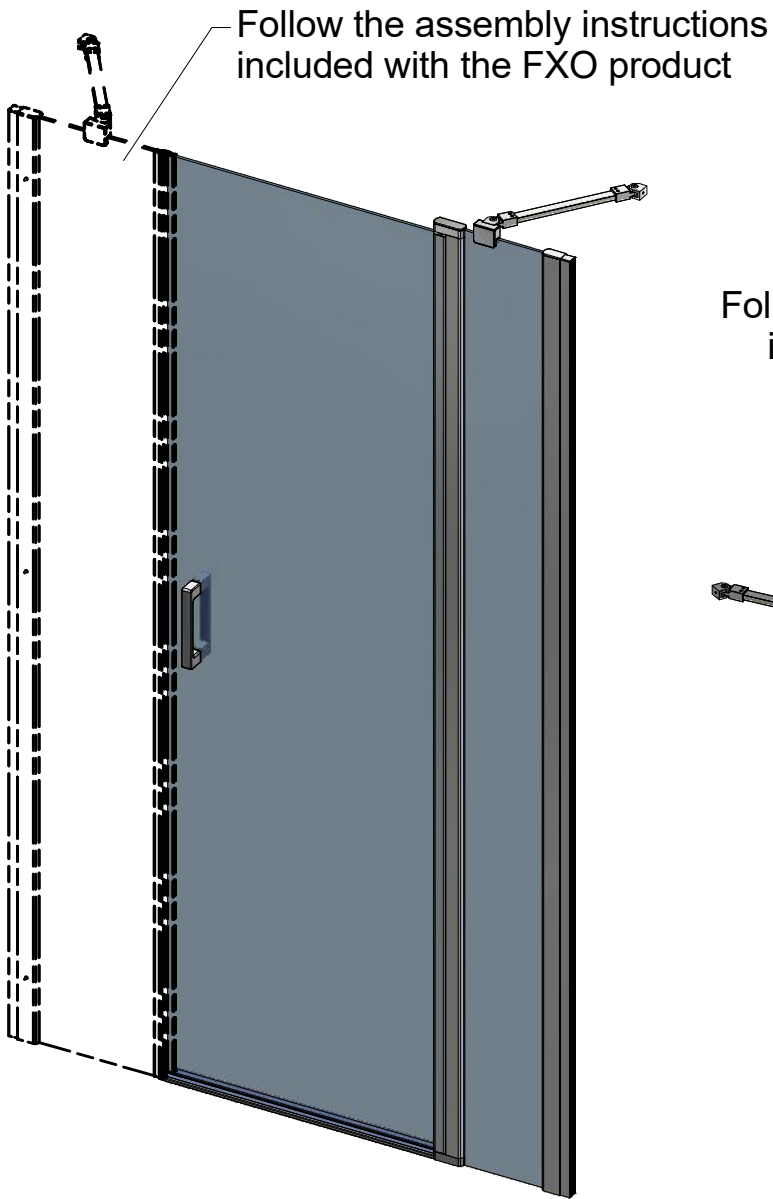


# CI EPF + CI FXG

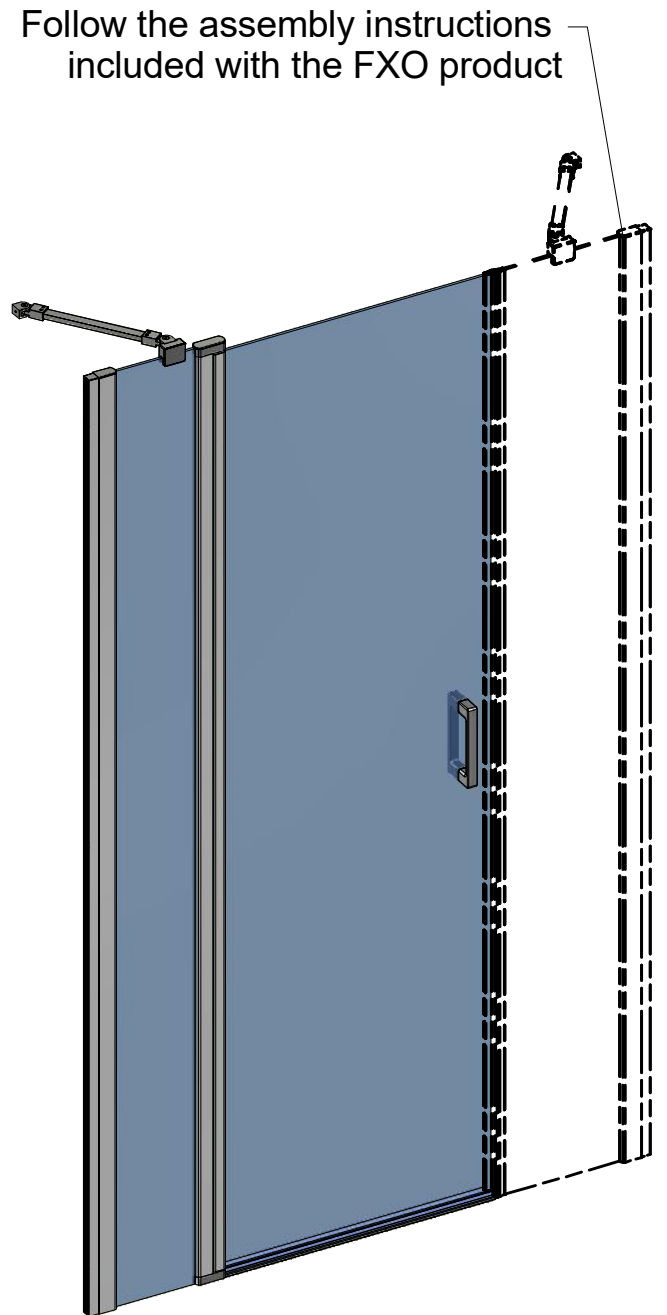


CI EPF + CI FXG					
TYPE	X1 (mm)	Y1 (mm)	C (mm)	X2 (mm)	Y2 (mm)
750	712-737	721-746	425	709-734	718-743
800	762-787	771-796	475	759-784	768-793
900	862-887	871-896	575	859-884	868-893
910	-	-	-	883-908	892-917
1000	962-987	971-996	625	959-984	968-993
1100	1062-1087	1071-1096	725	1059-1084	1068-1093
1200	1162-1187	1171-1196	725	1159-1184	1168-1193
1400	1362-1387	1371-1396	875	-	-

# CI EPF + CI FXO



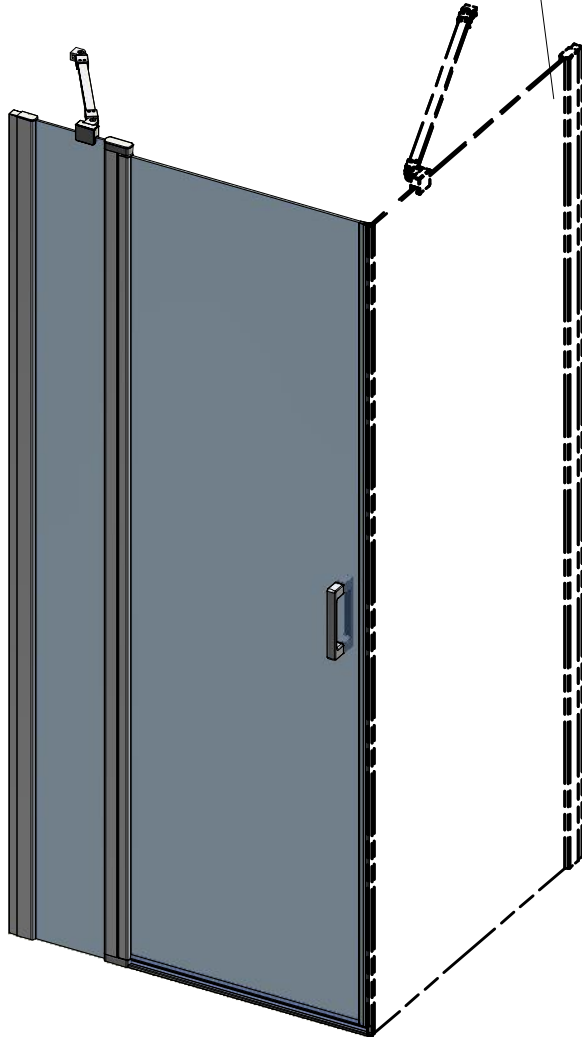
**LEFT Installation**  
**CI FXO + CI EPF**



**RIGHT Installation**  
**CI FXO + CI EPF**

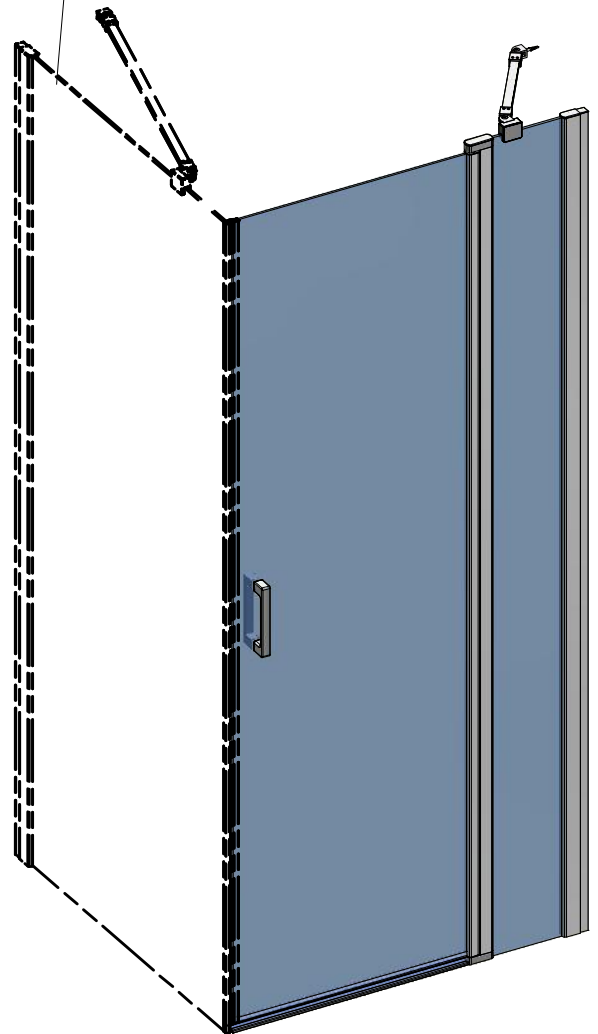
# CI EPF + CI FXG

Follow the assembly instructions included with the FXG product



**LEFT Installation**  
**CI FXG + CI EPF**

Follow the assembly instructions included with the FXG product

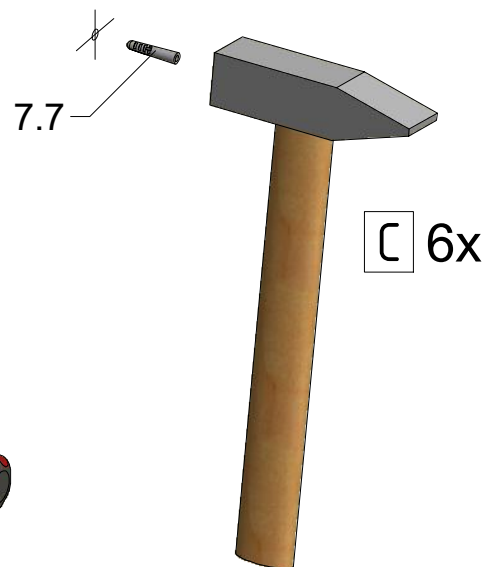
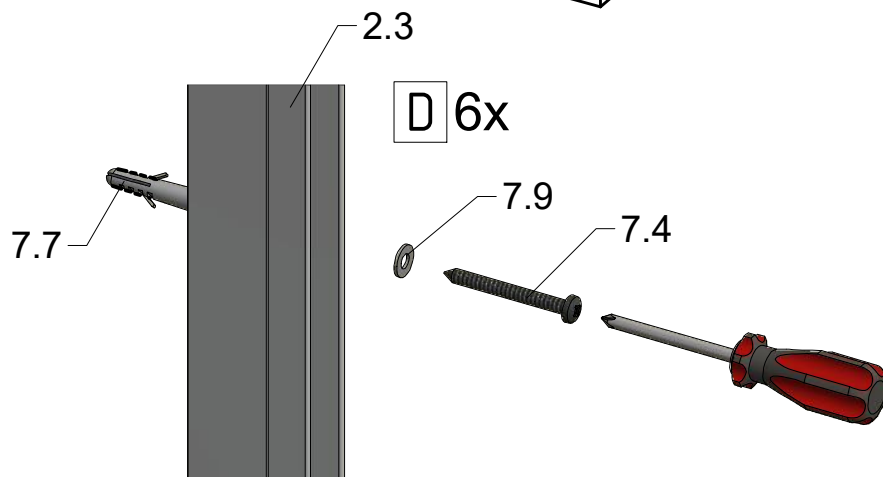
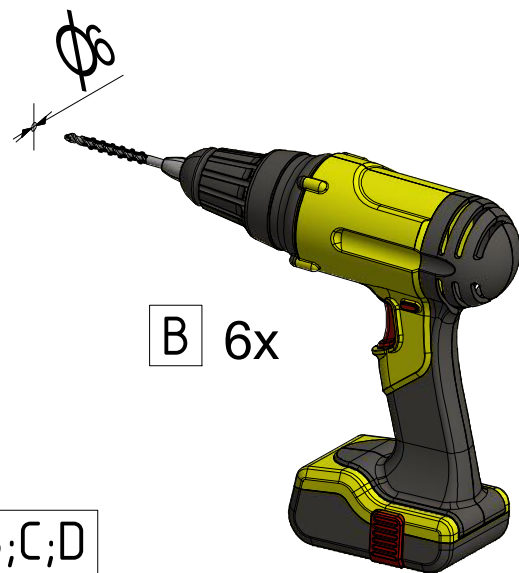
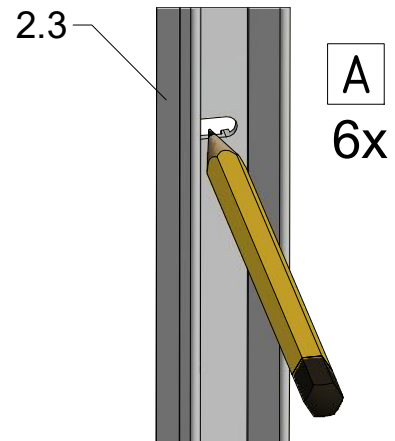
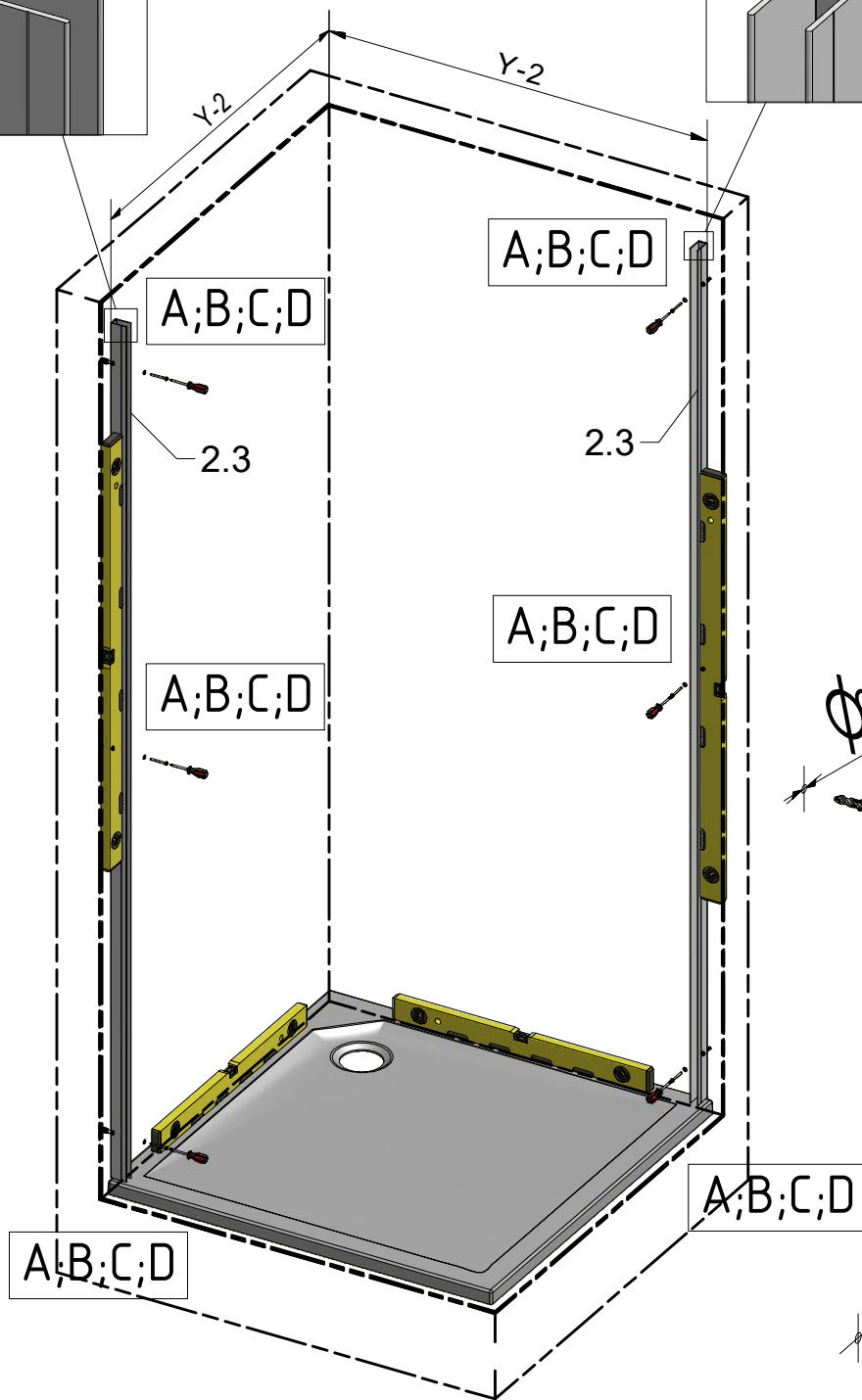
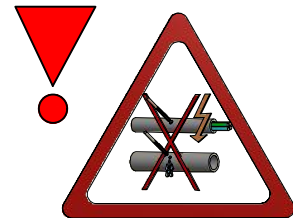
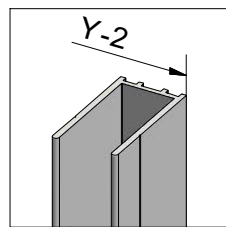
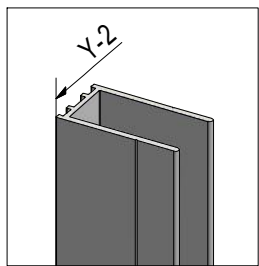


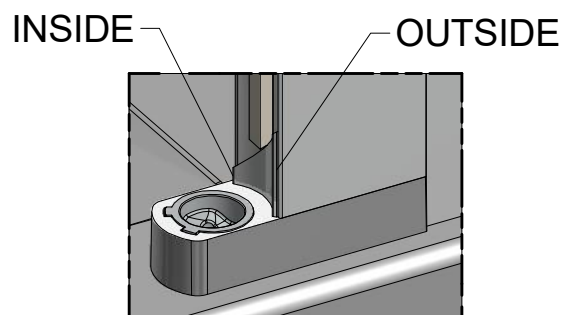
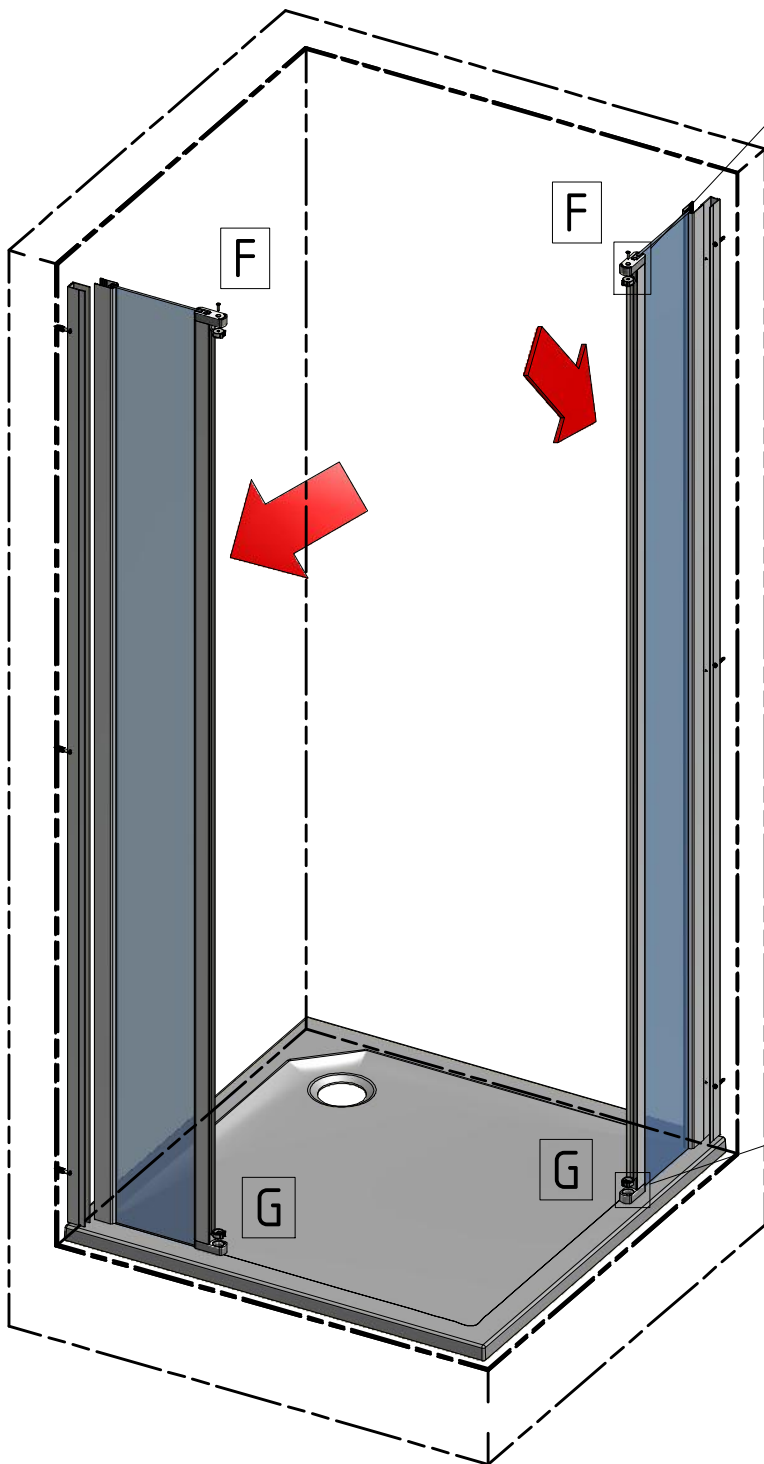
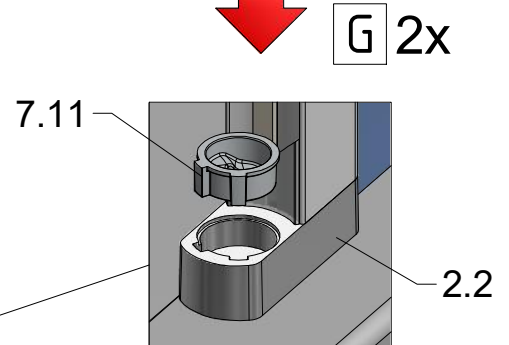
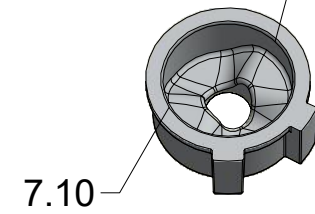
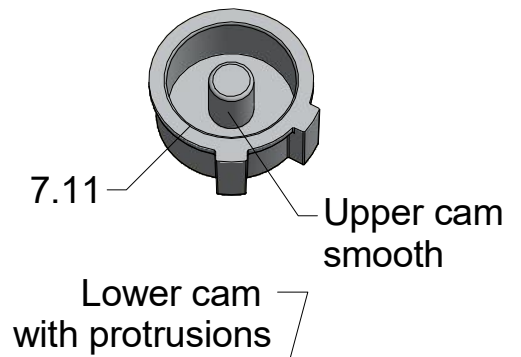
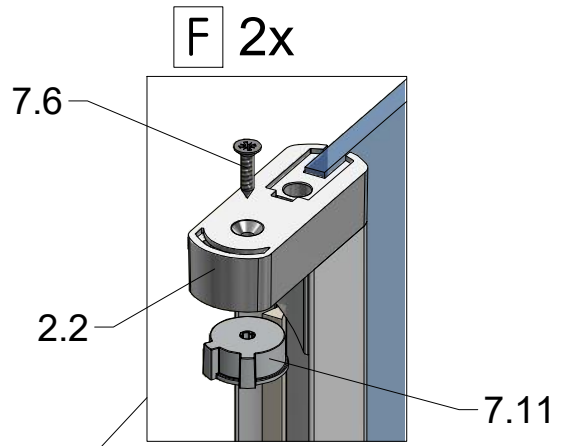
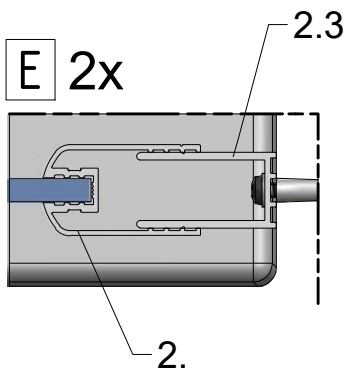
**RIGHT Installation**  
**CI FXO + CI EPF**

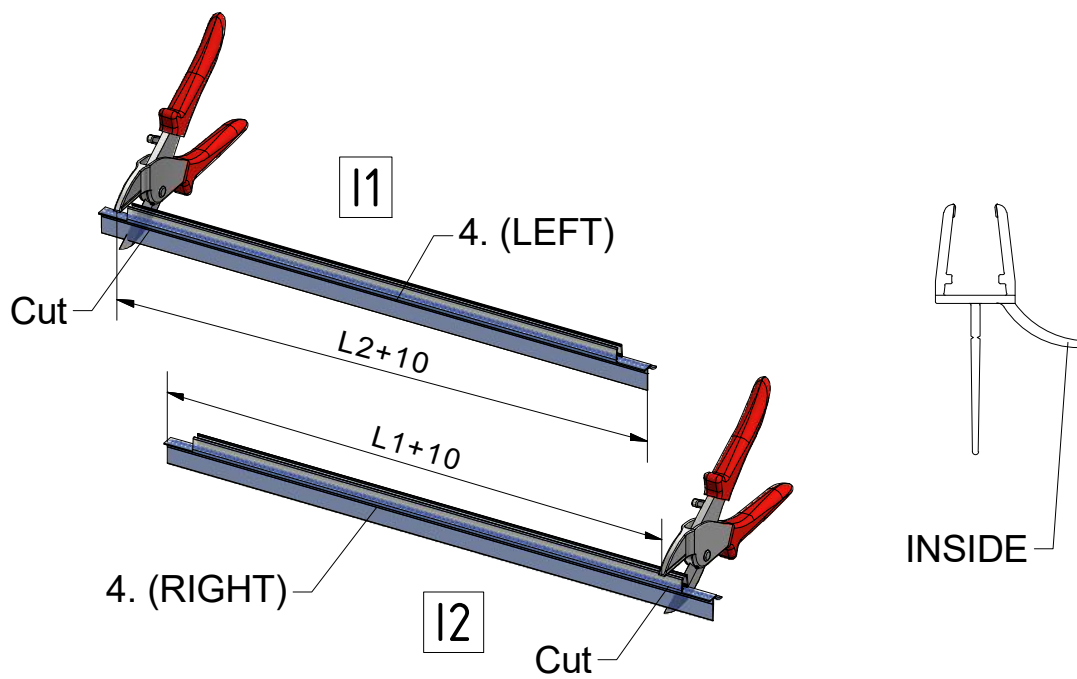
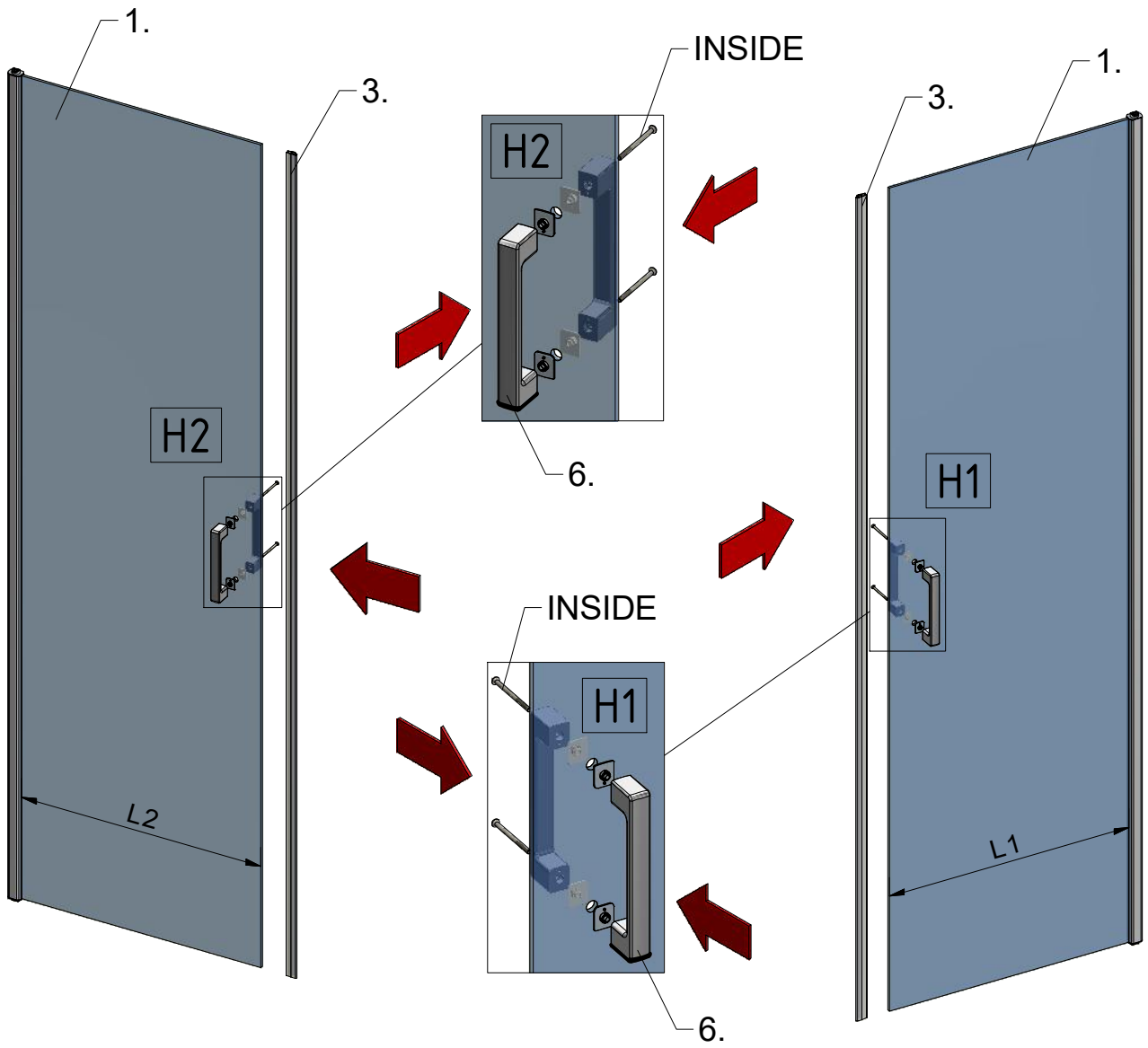
# The following installation steps in the manual are intended for mounting a corner in a CI EPF + CI EPF configuration

(To mount the CI FXG / CI FXO - follow the assembly steps for the selected left or right half of the CI EPF)



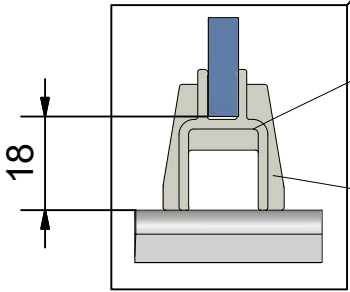
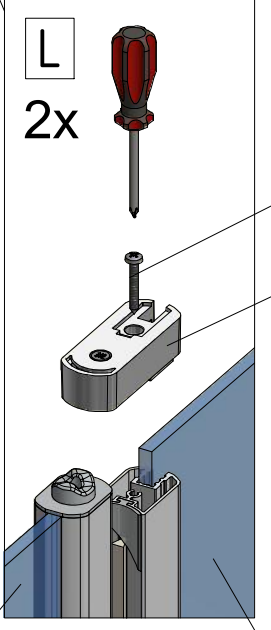
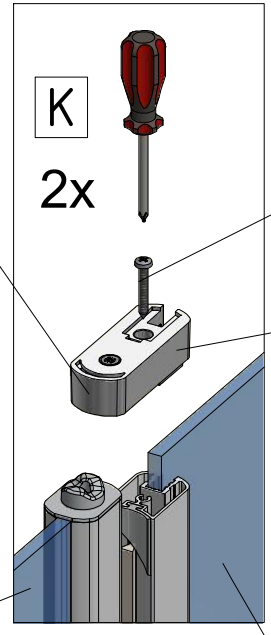








Remove the ZAMAK  
for door assembly



Use for protect and  
support door glass

18

K

2x

7.6

2.2

1.

2.1

L

2x

7.6

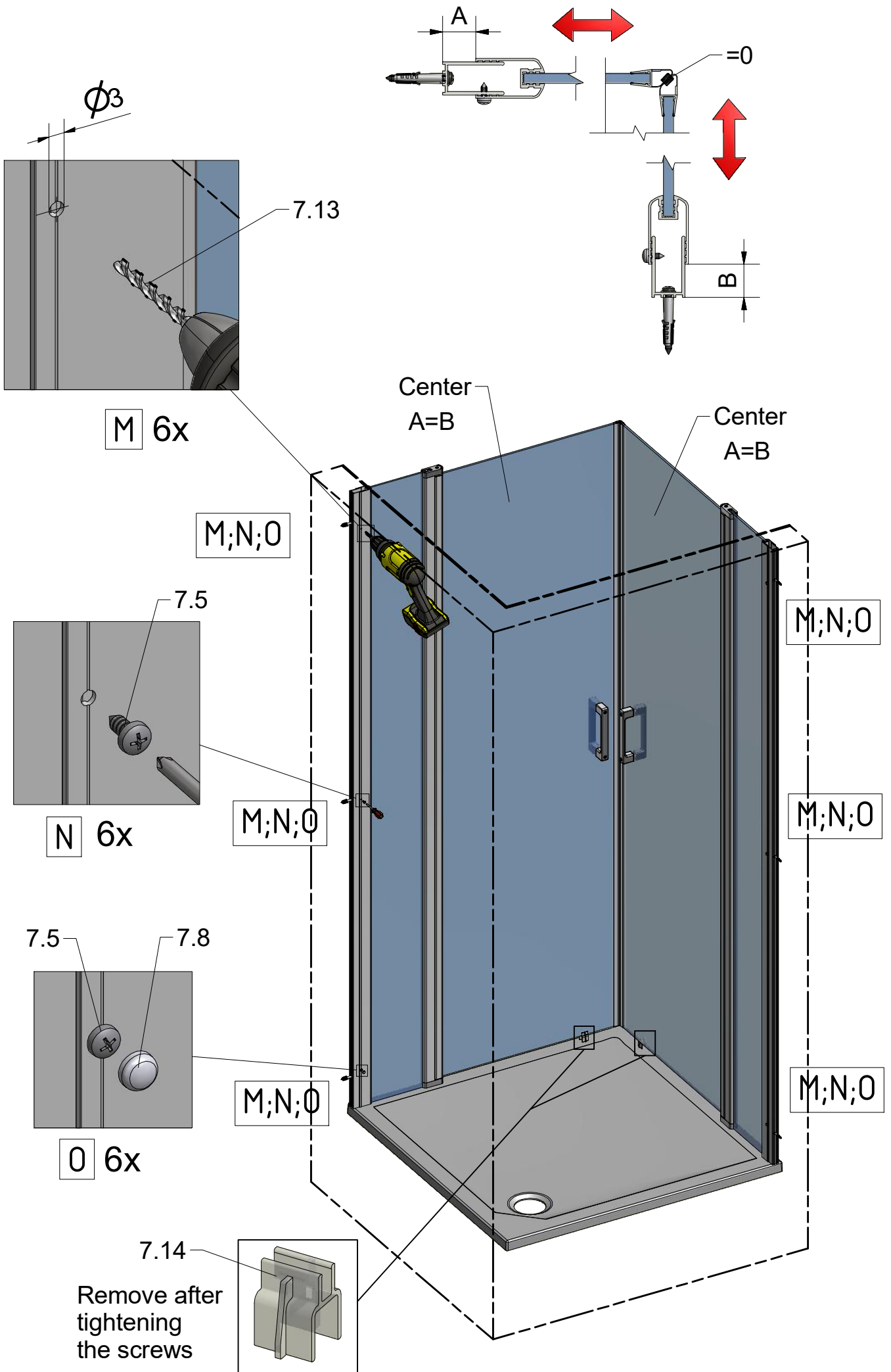
2.2

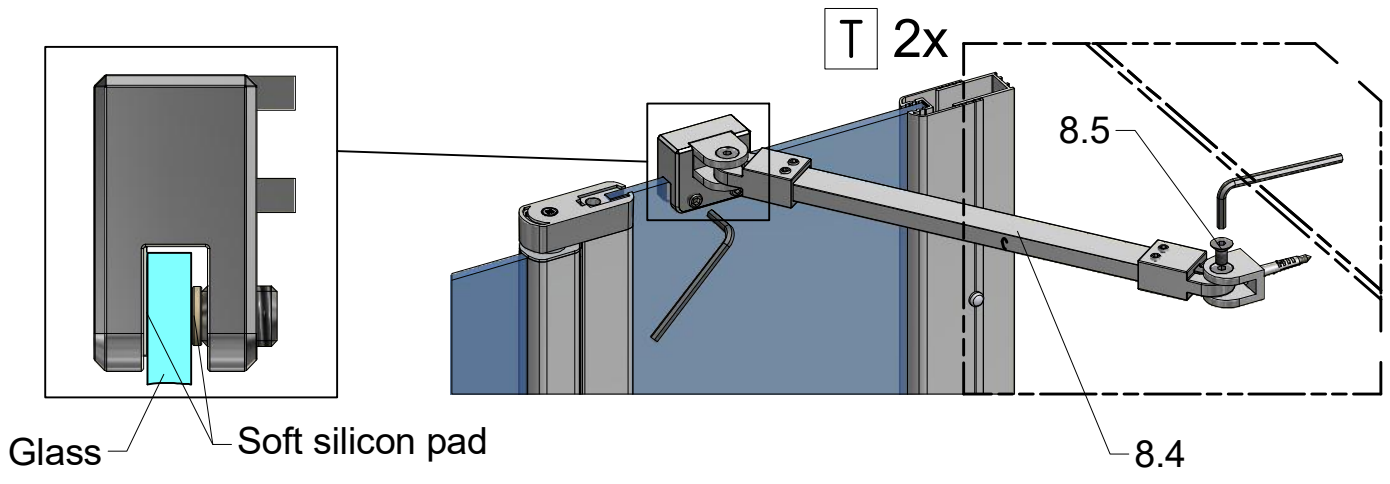
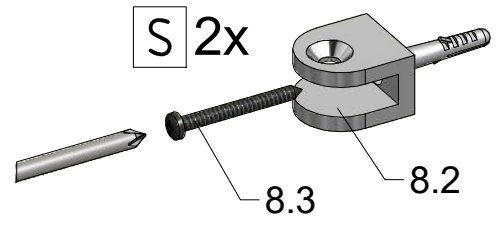
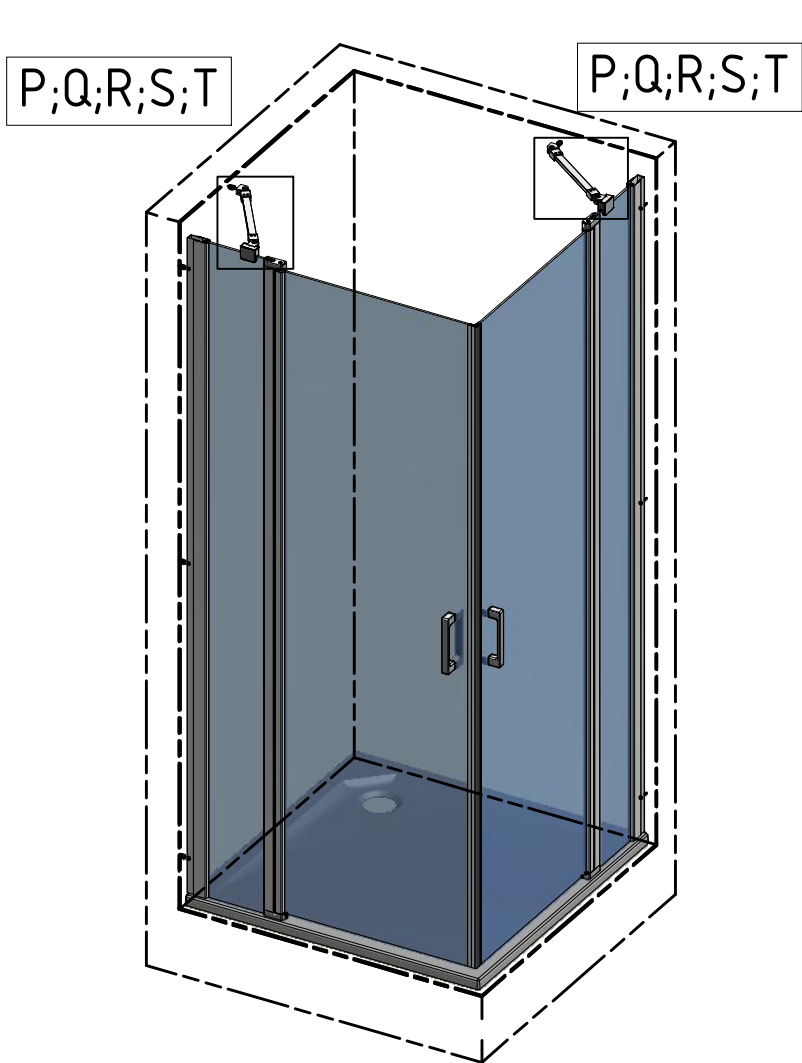
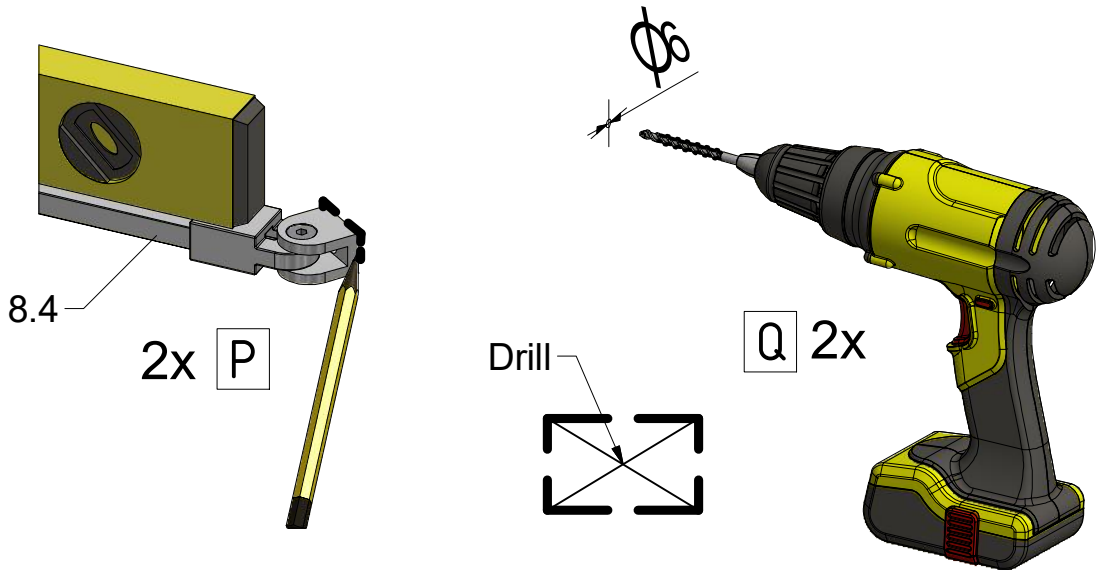
1.

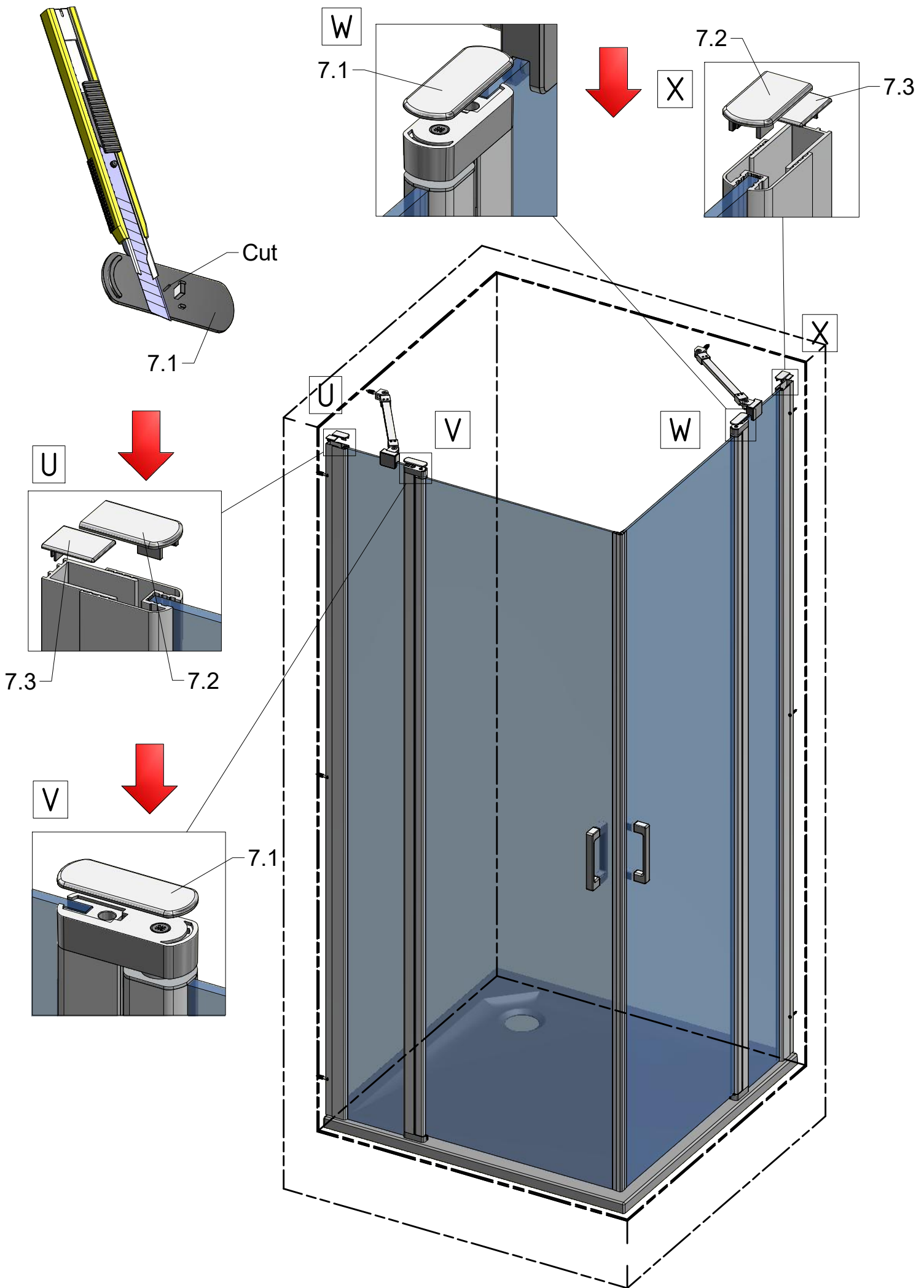
2.1

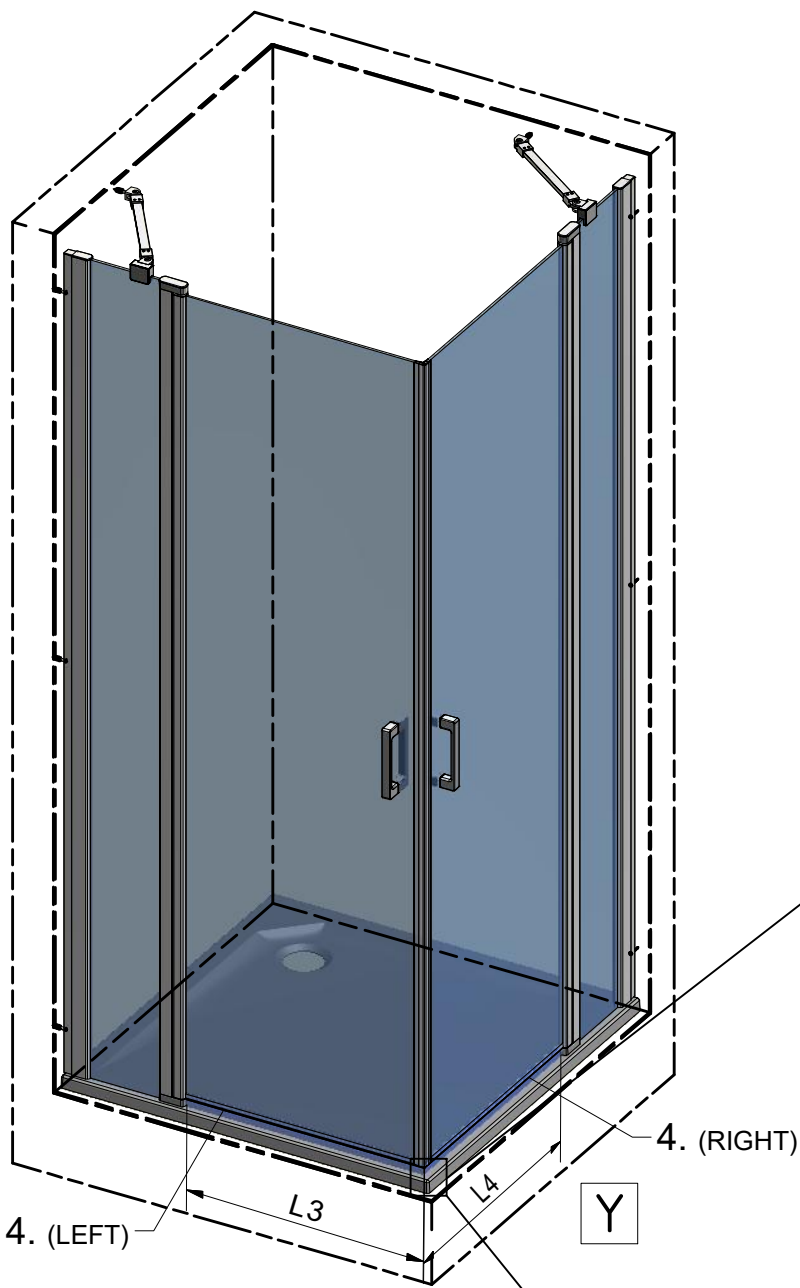
7.14



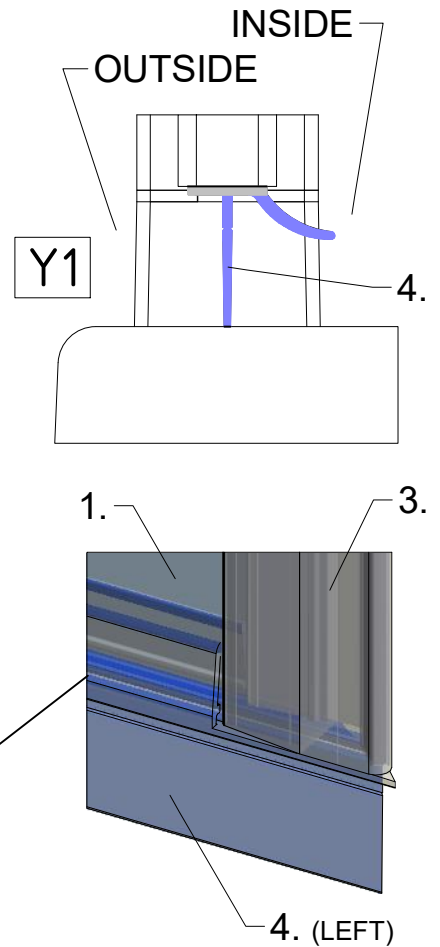




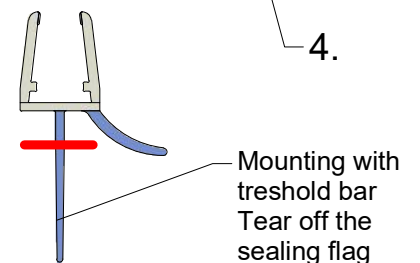
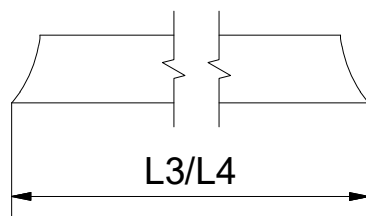
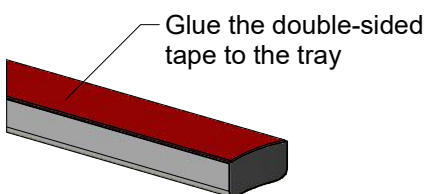
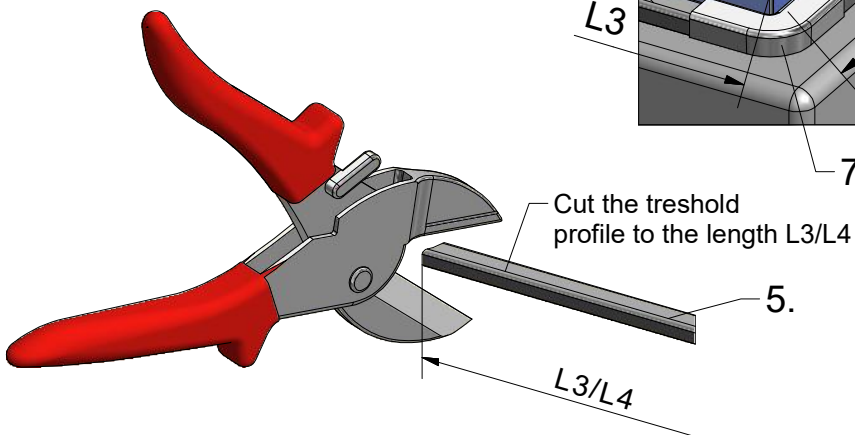
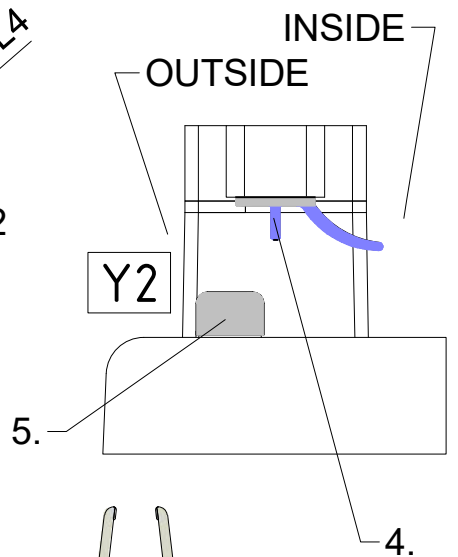
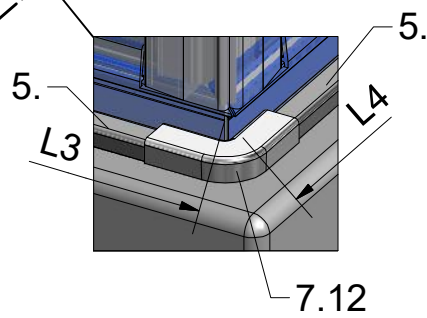




## Mounting without threshold bar



## Mounting with threshold bar

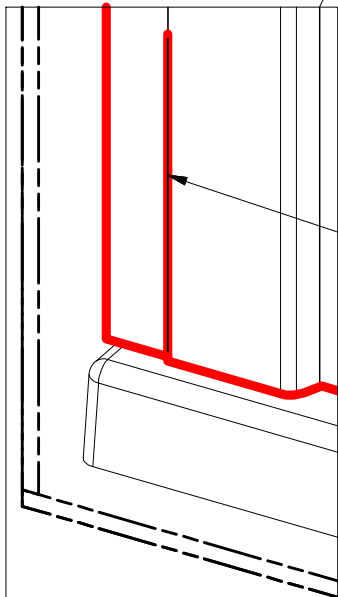
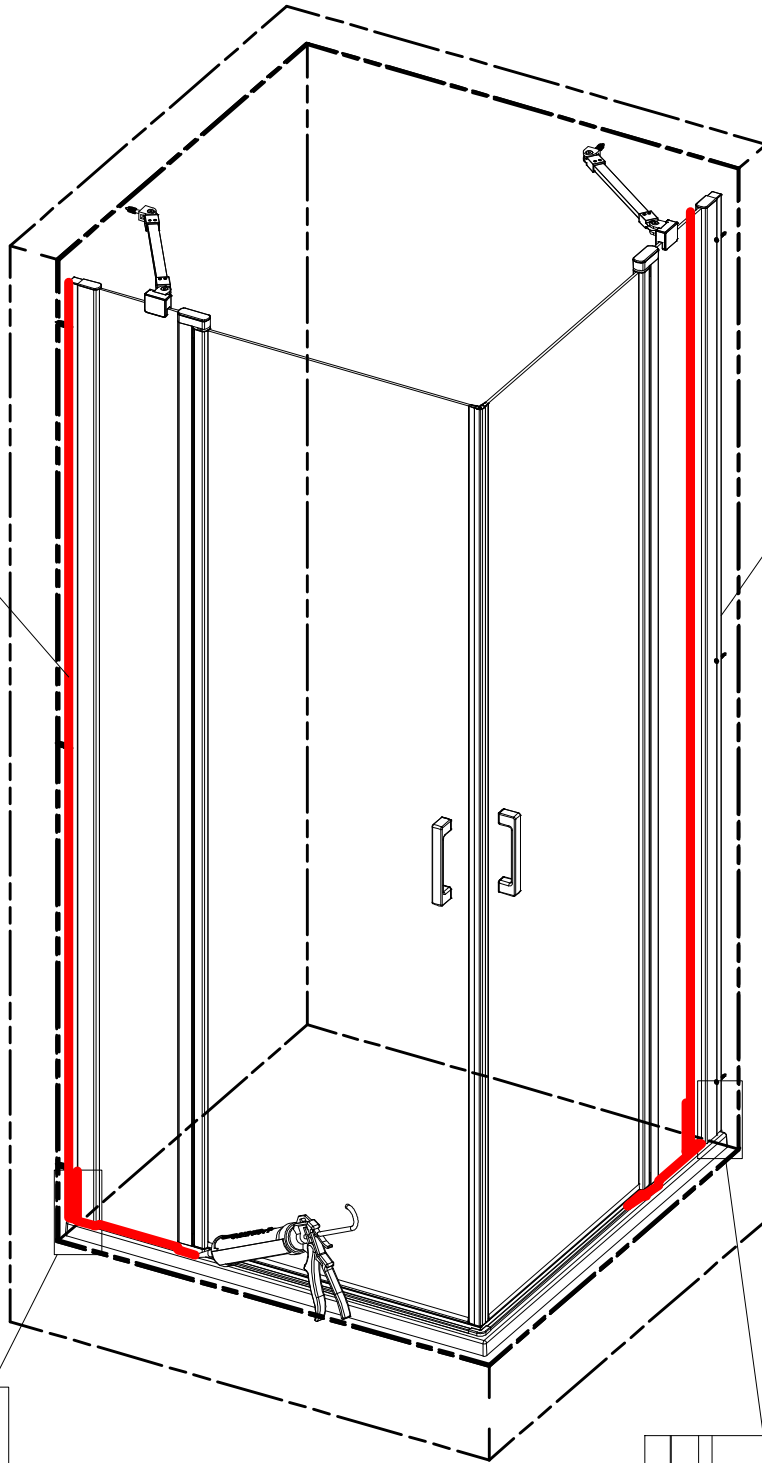




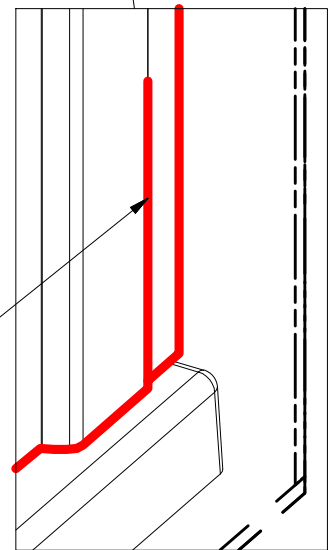
24 h

SILICONE

SILICONE



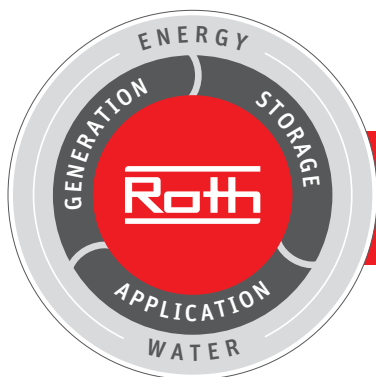
SILICONE  
MIN 100mm



SILICONE  
MIN 100mm







## Roth Energy and Sanitary Systems

### Generation

- Solar systems <
- Heat pump systems <

### Storage

- Storage systems for Domestic & heating water <
- Combustibles and biofuels <
- Rainwater and waste water <

### Application

- > Radiant heating and cooling systems
- > Pipe installation systems
- > Shower system

# Roth

#### ■ Deutschland

##### **ROTH WERKE GMBH**

Am Seerain 2  
35232 Dautphetal  
Telefon: 06466/922-0  
Telefax: 06466/922-100  
E-Mail: [service@roth-werke.de](mailto:service@roth-werke.de)  
[www.roth-werke.de](http://www.roth-werke.de)

#### ■ Czech Republic

##### **Roth Czech s.r.o.**

Třebořov 160  
569 33 Třebořov  
Tel.: +420 461 353 611  
E-Mail: [objednavky@roth-czech.cz](mailto:objednavky@roth-czech.cz)  
[www.roth-czech.cz](http://www.roth-czech.cz)

#### ■ France

##### **ROTH FRANCE**

CS 20090  
78, rue Ampère - ZI  
77465 Lagny sur Marne Cedex  
Tél.: +420 461 353 611  
[www.roth-france.fr](http://www.roth-france.fr)